

CITY OF SACRAMENTO
1231 I Street, Sacramento, CA 95814

Permit No: 0007482
Insp Area: 4

Site Address: 2441 WATERCOURSE WY SAC
Parcel No: 274-0520-036 LOT 71 RIVERWALK

Sub-Type: NSFR
Housing (Y/N): N

CONTRACTOR
MYERS HOMES INC.
3300 FITZGERALD RD.
RANCHO CORDOVA CA. 95742

OWNER

ARCHITECT

Nature of Work: NSFR MP2112 2 STORY 10 RMS

CONSTRUCTION LENDING AGENCY: I hereby affirm under penalty of perjury that there is a construction lending agency for the performance of the work for which this permit is issued (Sec. 3097, Civ. C).

Lender's Name _____ Lender's Address _____

LICENSED CONTRACTORS DECLARATION: I hereby affirm under penalty of perjury that I am licensed under provisions of Chapter 9 (commencing with section 7000) of Division 3 of the Business and Professions Code and my license is in full force and effect.

License Class B License Number 744477 Date 7/17/00 Contractor Signature [Signature]

OWNER-BUILDER DECLARATION: I hereby affirm under penalty of perjury that I am exempt from the contractors License Law for the following reason (Sec. 7031.5, Business and Professions Code; any city or county which requires a permit to construct, alter, improve, demolish, or repair any structure, prior to its issuance, also requires the applicant for such permit to file a signed statement that he or she is licensed pursuant to the provisions of the Contractors License Law (Chapter 9 (commencing with Section 7000) of Division 8 of the Business and Professions Code) or that he or she is exempt therefrom and the basis for the alleged exemption. Any violation of Section 7031.5 by any applicant for a permit subjects the applicant to a civil penalty of not more than five hundred dollars (\$500.00).

I, as a owner of the property, or my employees with wages as their sole compensation, will do the work, and the structure is not intended or offered for sale (Sec. 7044, Business and Professional Code: The Contractors License Law does not apply to an owner of property who builds or improves thereon, and who does such work himself or herself or through his/her own employees, provided that such improvements are not intended or offered for sale. If, however, the building or improvement is sold within one year of completion, the owner-builder will have the burden of proving that he/she did not build or improve for the purpose of sale.)

I, as owner of the property, am exclusively contracting with licensed contractors to construct the project (Sec. 7044, Business and Professions Code: The Contractors License Law does not apply to an owner of property who builds or improves thereon, and who contracts for such projects with a contractor(s) licensed pursuant to the Contractors License Law).

I am exempt under Sec. _____ B & PC for this reason: _____

Date _____ Owner Signature _____

PAID
CITY OF SACRAMENTO
JUL 17 2000
NEIGHBORHOODS, PLANNING
AND DEVELOPMENT SERVICES

IN ISSUING THIS BUILDING PERMIT, the applicant represents, and the city relies on the representation of the applicant, that the applicant verified all measurements and locations shown on the application or accompanying drawings and that the improvement to be constructed does not violate any law or private agreement relating to permissible or prohibited locations for such improvements. This building permit does not authorize any illegal location of any improvement or the violation of any private agreement relating to location of improvements.

I certify that I have read this application and state that all information is correct. I agree to comply with all city and county ordinances and state laws relating to building construction and hereby authorize representative(s) of this city to enter upon the abovementioned property for inspection purposes.

Date 7/17/00 Applicant/Agent Signature [Signature]

WORKER'S COMPENSATION DECLARATION: I hereby affirm under penalty of perjury one of the following declarations:

I have and will maintain a certificate of consent to self-insure for workers' compensation as provided for by Section 3700 of the Labor Code, for the performance of work for which the permit is issued.

I have and will maintain workers' compensation insurance, as required by Section 3700 of the Labor Code, for the performance of the work for which this permit is issued. My workers' compensation insurance carrier and policy number are:

Carrier RELIANCE NAT INS CO Policy Number NWAO154613-01 Exp Date 04/01/2001

(This section need not be completed if the permit is for \$100 or less) I certify that in the performance of the work for which this permit is issued, I shall not employ any person in any manner so as to become subject to the workers' compensation laws of California and agree that if I should become subject to the workers' compensation provisions of Section 3700 of the Labor Code, I shall forthwith comply with those provisions.

Date 7/17/00 Applicant Signature [Signature]

WARNING: FAILURE TO SECURE WORKER'S COMPENSATION COVERAGE IS UNLAWFUL AND SHALL SUBJECT AN EMPLOYER TO CRIMINAL PENALTIES AND CIVIL FINES UP TO ONE HUNDRED THOUSAND DOLLARS (\$100,000) IN ADDITION TO THE COST OF COMPENSATION, DAMAGES AS PROVIDED FOR IN SECTION 3706 OF THE LABOR CODE, INTEREST AND ATTORNEY'S FEE.

THIS PERMIT SHALL EXPIRE BY LIMITATION IF WORK IS NOT COMMENCED WITHIN 180 DAYS.

PLANS Lot 71

RESIDENTIAL BUILDING PERMIT APPLICATION

- New Construction Addition Remodels Other

Project Address: 2441 Watercourse Way Assessor Parcel # 274-0530-036

OWNER INFORMATION:

Legal Property Owner: MYERS HOMES OF CALIFORNIA, LLC Phone # 916-851-0530
 Owner Address: 3302 FITZGERALD RD CITY RANCHO CORDOVA State CA Zip 95742

CONTRACTOR INFORMATION:

Contractor: MYERS HOMES, INC. Lic. # 744473 Phone # 916-851-0530 Fax # 916-851-0535

PROJECT INFORMATION:

Land Use Zone R-1A PUD Occupancy Group R-3 Construction Type VN Fed Code 1A
 No. of stories: 2 No. of rooms: 14 Street width: 50 FT
 1st Floor Area 1134 2nd Floor Area 978 Basement N/A Roof Material TILE

AREA IN SQUARE FOOT OF OF:

	EXISTING	NEW
Dwelling/Living		<u>2112</u>
Garage/Storage		<u>606</u>
Decks/Balconies		<u>49</u> COVERED FRONT PORCH
Carports		

SCOPE OF WORK: NEW CONSTRUCTION OF SINGLE FAMILY RESIDENCE; RIVERWAY
SERIES I, PLAN 3/2112 IN MASTER PLANNED COMMUNITY P99075
P97-005 AMENDED

FOR OFFICE USE ONLY:

- | | | |
|---|---|--|
| <input type="checkbox"/> Information above complete | <input type="checkbox"/> AR Flood Waiver required | <input type="checkbox"/> Planning Approval |
| <input type="checkbox"/> Violation files checked | <input type="checkbox"/> Flood Elevation Certificate Required | <input type="checkbox"/> Design Review Approval |
| <input type="checkbox"/> Standard setbacks | <input type="checkbox"/> Water Development Infill Area | <input type="checkbox"/> Special Fee Districts Apply : |
| <input type="checkbox"/> County Sewer | | |

NEW STRUCTURES & ADDITIONS

*THE FOLLOWING MUST BE PROVIDED IN ORDER TO SUBMIT FOR PLAN REVIEW

- 2 COMPLETE PLANS, LEGIBLE & DRAWN TO SCALE Plot 8.5" x 11" DRAINAGE INFO Plans to include: site plan, floor plan, elevations, roof/ceiling plan, foundation and structural framing details, and structural calculations for non-conforming structures.
- 3 SETS IF PROJECT IS IN A DESIGN REVIEW AREA

- Title 24 Energy Compliance documentation 11" x 17" copy of floor plan for County Assessor
 Grading and Erosion Control Questionnaire Plan Review Fees

Date: _____ Received by: (staff) _____

ACTIVITY/PERMIT #

OMEGA PRODUCTS CORP.
GLASS WALL INSULATING STUD SYSTEM

ICIS Report 34854

JOB ADDRESS:

Lot 71
2441 Watercourse Way

Date of Job Completion 10/11/00

PLASTERING CONTRACTOR:

Name: Mescal Plastering

Address: Box 355 Fresno Ca 95648

Telephone No: (516) 645-7337

Contractor Number of Stamped Wall System 2130

This is to certify that the exterior covering system on the building exterior as the above address has been installed in accordance with the evaluation report specified above and the manufacturer's instructions.

12/1/00
Date

Jim Austin
Signature of authorized representative of
Plastering Contractor

This installation card must be presented to the building inspector after completion of work and before final inspection.

CERTIFICATION OF INSULATION

ADDRESS OR TRACT

SACRAMENTO INSULATION CONTRACTORS

MEYERS

LOT # 71

- P.O. BOX 854, WEST SACRAMENTO, CA 95691 LIC. #202026
- 1309 MELODY ROAD, MARYSVILLE, CA 95901 LIC. #202026
- P.O. BOX 9651, FRESNO, CA 93793-9651 LIC. #202026
- P.O. BOX 1631, RENO, NV 89505 LIC. #10675
- 3326 A PONDEROSA WAY, LAS VEGAS, NV 89118 LIC. #10675

RIVERWALK

DATE INSULATION COMPLETED

10-18-00

PART I GENERAL

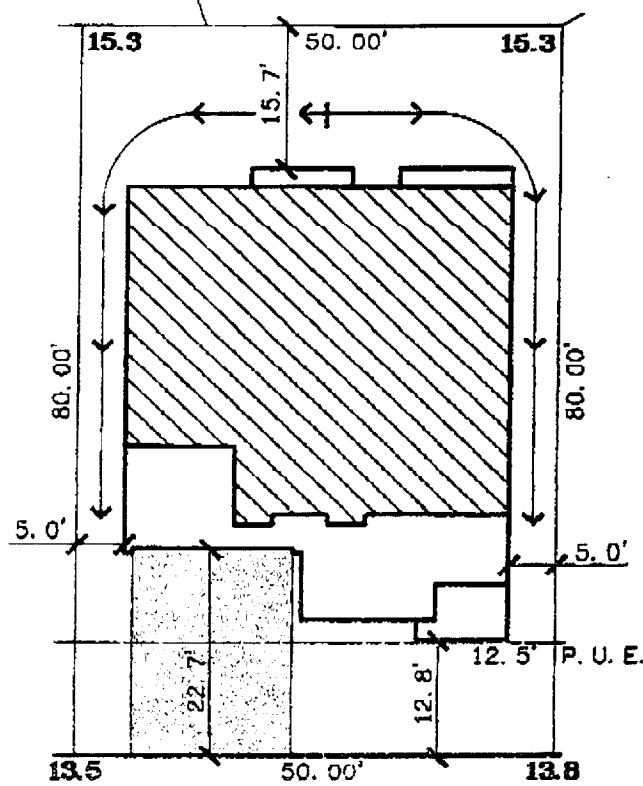
PART II AREAS INSULATED

WALLS		CEILINGS			FLOORS	
SQUARE FEET		SQUARE FEET)			(SQUARE FEET)	
TYPE OF INSULATION		TYPE OF INSULATION			TYPE OF INSULATION	
MATERIAL FIBERGLASS		MATERIAL FIBERGLASS			MATERIAL FIBERGLASS	
FORM BATTS		FORM BATTS & BLOW			FORM BATTS	
MANUFACTURER'S PRODUCT ID		MANUFACTURER'S PRODUCT ID			MANUFACTURER'S PRODUCT ID	
MANUFACTURER		MANUFACTURER			MANUFACTURER	
OCF		OCF			OCF	
R - VALUE INSTALLED	APPLIED THICKNESS	R - VALUE INSTALLED	APPLIED THICKNESS	MIN. INSTALLED WEIGHT PER SQUARE FOOT	R - VALUE INSTALLED	APPLIED THICKNESS
13	3 1/4"	30	9"			
19	5 1/2"	30	12"			
KNEE WALLS IF R-VALUE IS OTHER THAN WALLS ABOVE						
MATERIAL FIBERGLASS		FORM BATTS		R VALUE	MANUFACTURER OCF	
AIR INFILTRATION SEALANT						
MATERIAL FOAM				MANUFACTURER W R GRACE		

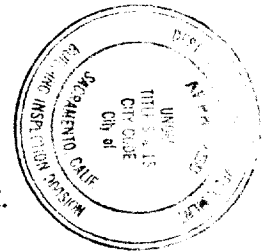
THIS IS TO CERTIFY THAT INSULATION AND/OR SEALANT HAS BEEN INSTALLED IN CONFORMANCE WITH APPLICABLE CODES, MATERIAL STANDARDS AND REGULATIONS.

SIGNATURE - INSULATION CONTRACTOR <i>Bell Durigo</i>	TITLE MANAGER	DATE 10-3-00
SIGNATURE - GENERAL CONTRACTOR	TITLE	DATE

REMARKS



WATERCOURSE WAY



This set of plans and specifications must be kept on the job at all times and it is unlawful to make any changes or alterations from the same without written permission from the Building Inspection Division.
 The approval of this plan and specification SHALL NOT be held to permit or approve the violation of any City Ordinance or State Law.



DATE: 6-12-00 REV

A.P.N.:

ADDRESS: 2441 WATERCOURSE WAY

LOT AREA: 4,000 SF
LOT COVERAGE: 39%

The Splink Corporation

2590 VENTURE OAKS WAY
SACRAMENTO, CA 95833

PH:(916)925-5550 FAX:(916)921-9274

**RIVERWALK
UNIT NO. 1**

LOT 71
PLAN 2112B

RIVERWALK

CITY OF SACRAMENTO, CA.

CLIENT: MYERS HOMES

JOB NO.: 1456-001