

CITY OF SACRAMENTO

Permit No: 0314895

1231 I Street, Sacramento, CA 95814

Insp Area: 4

Thos Bros: 257 J7

Site Address: 4862 WIND CREEK DR SAC

Sub-Type: RES

Parcel No: 226-0210-087

Expanded North Area DESIGN REVIEW

Housing (Y/N):

N

CONTRACTOR

**K DESIGNERS
11261 SUNRISE PARK WAY
RANCHO CORDOVA CA 95742**

OWNER

**OSTERHOUDT THOMAS G/HOLLEY S
4862 WIND CREEK DR
SACRAMENTO CA 95838**

ARCHITECT

Nature of Work: INSTALL 30SQ OF VINYL SIDING

CONSTRUCTION LENDING AGENCY: I hereby affirm under penalty of perjury that there is a construction lending agency for the performance of the work for which this permit is issued (Sec. 3097, Civ. C).

Lender's Name _____ Lender's Address _____

LICENSED CONTRACTORS DECLARATION: I hereby affirm under penalty of perjury that I am licensed under provisions of Chapter 9 (commencing with section 7000) of Division 3 of the Business and Professions Code and my license is in full force and effect.

License Class C/61 License Number 498806 Date 10-1-03 Contractor Signature [Signature]

OWNER-BUILDER DECLARATION: I hereby affirm under penalty of perjury that I am exempt from the contractors License Law for the following reason (Sec. 7031.5, Business and Professions Code; any city or county which requires a permit to construct, alter, improve, demolish, or repair any structure, prior to its issuance, also requires the applicant for such permit to file a signed statement that he or she is licensed pursuant to the provisions of the Contractors License Law (Chapter 9 (commencing with Section 7000) of Division 8 of the Business and Professions Code) or that he or she is exempt therefrom and the basis for the alleged exemption. Any violation of Section 7031.5 by any applicant for a permit subjects the applicant to a civil penalty of not more than five hundred dollars (\$500.00);

I, as a owner of the property, or my employees with wages as their sole compensation, will do the work, and the structure is not intended or offered for sale (Sec. 7044, Business and Professional Code: The Contractors License Law does not apply to an owner of property who builds or improves thereon, and who does such work himself or herself or through his/her own employees, provided that such improvements are not intended or offered for sale. If, however, the building or improvement is sold within one year of completion, the owner-builder will have the burden of proving that he/she did not build or improve for the purpose of sale.)

I, as owner of the property, am exclusively contracting with licensed contractors to construct the project (Sec. 7044, Business and Professions Code: The Contractors License Law does not apply to an owner of property who builds or improves thereon, and who contracts for such projects with a contractor(s) licensed pursuant to the Contractors License Law).

I am exempt under Sec. _____ B & PC for this reason: _____

Date 10-1-03 Owner Signature _____

IN ISSUING THIS BUILDING PERMIT, the applicant represents, and the city relies on the representation of the applicant, that the applicant verified all measurements and locations shown on the application or accompanying drawings and that the improvement to be constructed does not violate any law or private agreement relating to permissible or prohibited locations for such improvements. This building permit does not authorize any illegal location of any improvement or the violation of any private agreement relating to location of improvements.

I certify that I have read this application and state that all information is correct. I agree to comply with all city and county ordinances and state laws relating to building construction and hereby authorize representative(s) of this city to enter upon the abovementioned property for inspection purposes.

Date 10-1-03 Applicant/Agent Signature [Signature]

WORKER'S COMPENSATION DECLARATION: I hereby affirm under penalty of perjury one of the following declarations:

I have and will maintain a certificate of consent to self-insure for workers' compensation as provided for by Section 3700 of the Labor Code, for the performance of work for which the permit is issued.

I have and will maintain workers' compensation as required by Section 3700 of the Labor Code, for the performance of the work for which this permit is issued. My workers' compensation insurance carrier and policy number are:

Carrier STATE FUND Policy Number 713-0009151 Exp Date 04/01/2004

(This section need not be completed if the permit is for \$100 or less) I certify that in the performance of the work for which this permit is issued, I shall not employ any person in any manner so as to become subject to the workers' compensation laws of California and agree that if I should become subject to the workers' compensation provisions of Section 3700 of the Labor Code, I shall therefrom comply with those provisions.

Date 10-1-03 Applicant Signature [Signature]

WARNING: FAILURE TO SECURE WORKER'S COMPENSATION COVERAGE IS UNLAWFUL AND SHALL SUBJECT AN EMPLOYER TO CRIMINAL PENALTIES AND CIVIL FINES UP TO ONE HUNDRED THOUSAND DOLLARS (\$100,000) IN ADDITION TO THE COST OF COMPENSATION, DAMAGES AS PROVIDED FOR IN SECTION 3706 OF THE LABOR CODE, INTEREST AND ATTORNEY'S FEE.

THIS PERMIT SHALL EXPIRE BY LIMITATION IF WORK IS NOT COMMENCED WITHIN 180 DAYS.

0314895



CITY OF SACRAMENTO
CALIFORNIA

PLANNING AND
BUILDING
DEPARTMENT
PHONE 916-808-5381

1231 I STREET, ROOM 200
SACRAMENTO, CA
95814-2998
FAX 916-808-7046

Over-The-Counter Project Review


Address: 4862 Wind Creek Drive
Description: New Vinyl Siding

Applicant: K Designers
Date Approved: October 1, 2003
Staff Contact: Ashley J. Feeney, Planning Technician, 264-1941

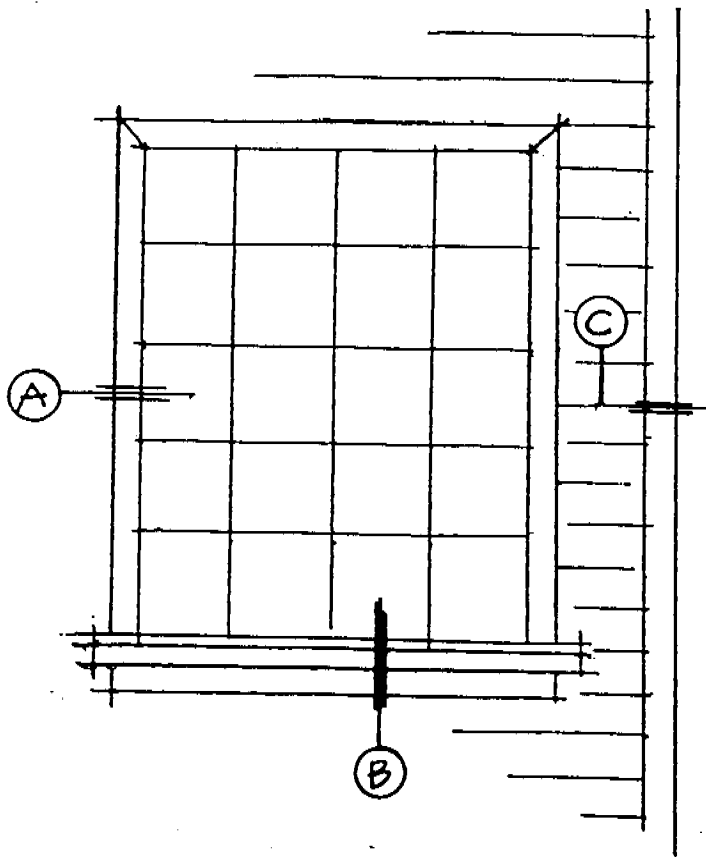
STAFF ACTION AND CONDITIONS OF APPROVAL:

Staff has reviewed the proposed project, and approves it with the following conditions of approval:

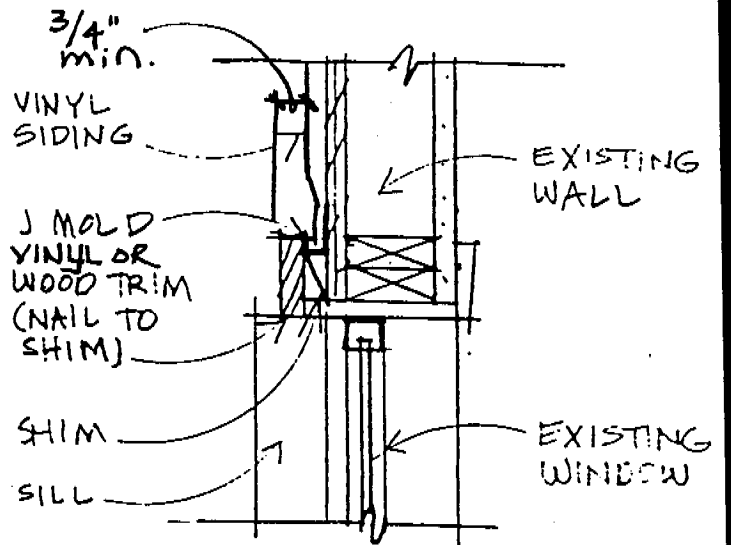
1. Install new horizontal vinyl siding on all sides of home per attached city detail.
2. Maintain and repair/replace as required trim at all doors and windows. Trim shall cover and hide all J-molding, per the City of Sacramento's detail.
3. Paint all trim, gutters and exposed wood a complimentary, contrasting color.
4. The scope of exterior work is limited to the above listed items. Any changes are subject to Design Review staff approval.


Ashley J. Feeney
Planning Technician
Design Review

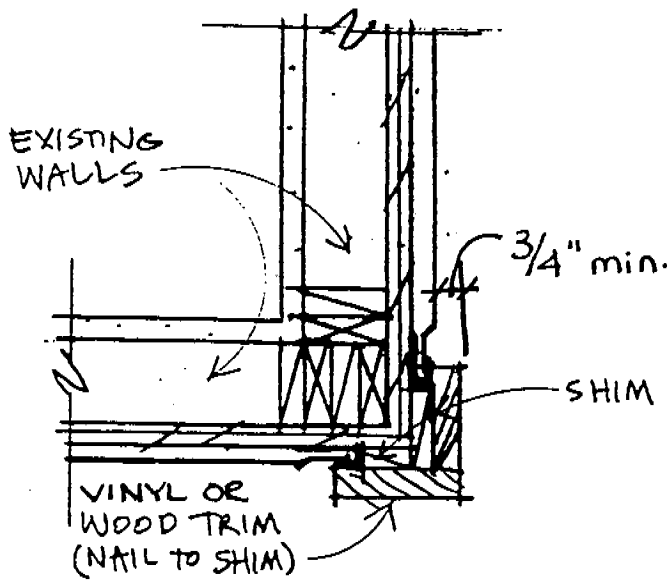
WOOD TRIM DETAILS WITH VINYL SIDING



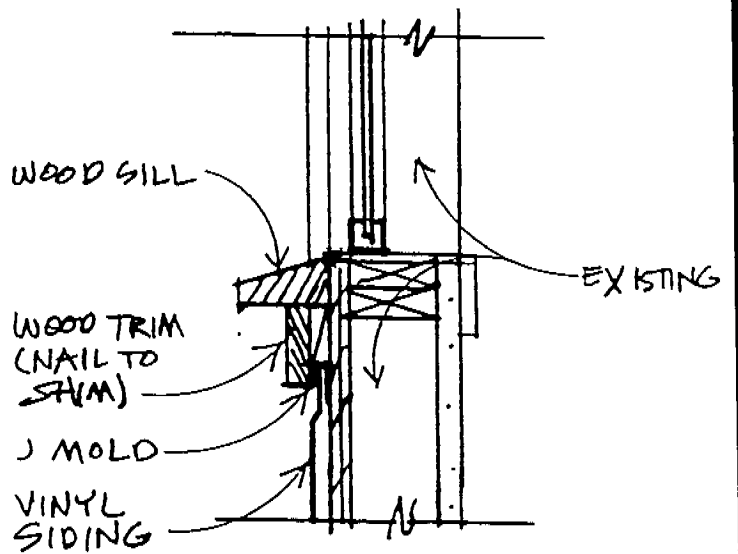
WINDOW ELEVATION



A JAMB



C CORNER



B SILL