

CITY OF SACRAMENTO

Permit No: 9900659

1231 I Street, Sacramento, CA 95814

Insp Area: 2

Site Address: 3800 FLORIN RD SAC

Sub-Type: ACOM

Parcel No: 0490010090

Housing (Y/N): N

CONTRACTOR

CAL INC
2040 PEABODY RD
VACAVILLE 95687

OWNER

SCHROERS KATHRYN ANN
11806 LIMA DR
HOUSTON TX 77049

ARCHITECT

Nature of Work: UNDERGROUND STORAGE TANK WITH ELECTRICAL

CONSTRUCTION LENDING AGENCY : I hereby affirm under penalty of perjury that there is a construction lending agency for the performance of the work for which this permit is issued (Sec. 3097, Civ. C).

Lender's Name _____ Lender's Address _____

LICENSED CONTRACTORS DECLARATION: I hereby affirm under penalty of perjury that I am licensed under provisions of Chapter 9 (commencing with section 7000) of Division 3 of the Business and Professions Code and my license is in full force and effect.

License Class A,B,HA2 License Number 657754 Date 10/30/92 Contractor Signature Will Ego FOR CAL INC

OWNER-BUILDER DECLARATION: I hereby affirm under penalty of perjury that I am exempt from the contractors License Law for the following reason (Sec. 7031.5, Business and Professions Code; any city or county which requires a permit to construct, alter, improve, demolish, or repair any structure, prior to its issuance, also requires the applicant for such permit to file a signed statement that he or she is licensed pursuant to the provisions of the Contractors License Law (Chapter 9 (commencing with Section 7000) of Division 8 of the Business and Professions Code) or that he or she is exempt therefrom and the basis for the alleged exemption. Any violation of Section 7031.5 by any applicant for a permit subjects the applicant to a civil penalty of not more than five hundred dollars (\$500.00);

_____, I, as a owner of the property, or my employees with wages as their sole compensation, will do the work, and the structure is not intended or offered for sale (Sec. 7044, Business and Professional Code: The Contractors License Law does not apply to an owner of property who builds or improves thereon, and who does such work himself or herself or through his/her own employees, provided that such improvements are not intended or offered for sale. If, however, the building or improvement is sold within one year of completion, the owner-builder will have the burden of proving that he/she did not build or improve for the purpose of sale.)

_____, I, as owner of the property, am exclusively contracting with licensed contractors to construct the project (Sec. 7044, Business and Professions Code: The Contractors License Law does not apply to an owner of property who builds or improves thereon, and who contracts for such projects with a contractor(s) licensed pursuant to the Contractors License Law).

_____ I am exempt under Sec. _____ B & PC for this reason: _____

Date _____ Owner Signature _____

IN ISSUING THIS BUILDING PERMIT, the applicant represents, and the city relies on the representation of the applicant, that the applicant verified all measurements and locations shown on the application or accompanying drawings and that the improvement to be constructed does not violate any law or private agreement relating to permissible or prohibited locations for such improvements. This building permit does not authorize any illegal location of any improvement or the violation of any private agreement relating to location of improvements.

I certify that I have read this application and state that all information is correct. I agree to comply with all city and county ordinances and state laws relating to building construction and hereby authorize representative(s) of this city to enter upon the abovementioned property for inspection purposes.

Date 1/22/99 Applicant/Agent Signature Will Ego CAL INC

WORKER'S COMPENSATION DECLARATION: I hereby affirm under penalty of perjury one of the following declarations:

_____ I have and will maintain a certificate of consent to self-insure for workers' compensation as provided for by Section 3700 of the Labor Code, for the performance of work for which the permit is issued.

_____ I have and will maintain workers' compensation insurance, as required by Section 3700 of the Labor Code, for the performance of the work for which this permit is issued. My workers' compensation insurance carrier and policy number are:

Carrier CREDIT GENERAL Policy Number SWC709-242-00 Exp Date 09/01/1999

_____ (This section need not be completed if the permit is for \$100 or less) I certify that in the performance of the work for which this permit is issued, I shall not employ any person in any manner so as to become subject to the workers' compensation laws of California and agree that if I should become subject to the workers' compensation provisions of Section 3700 of the Labor Code, I shall forthwith comply with those provisions.

Date 1/22/99 Applicant Signature Will Ego CAL INC

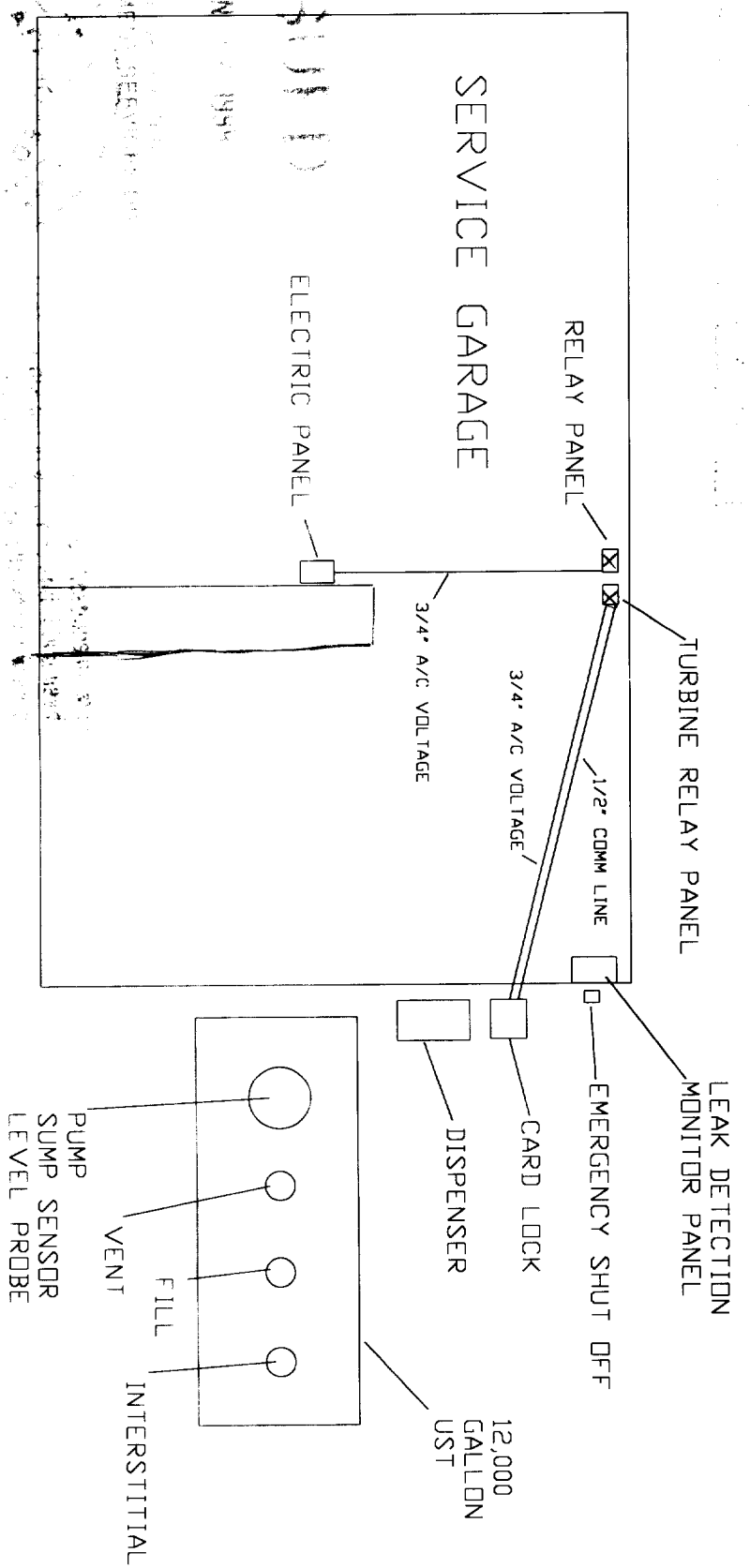
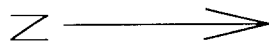
WARNING: FAILURE TO SECURE WORKER'S COMPENSATION COVERAGE IS UNLAWFUL AND SHALL SUBJECT AN EMPLOYER TO CRIMINAL PENALTIES AND CIVIL FINES UP TO ONE HUNDRED THOUSAND DOLLARS (\$100,000) IN ADDITION TO THE COST OF COMPENSATION, DAMAGES AS PROVIDED FOR IN SECTION 3706 OF THE LABOR CODE, INTEREST AND ATTORNEY'S FEE.

THIS PERMIT SHALL EXPIRE BY LIMITATION IF WORK IS NOT COMMENCED WITHIN 180 DAYS.

1993

1-22-99

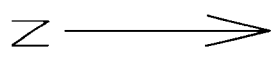
DM



CAL COMMERCIAL		SERVICES TNT		DATE	DRAWN BY	JOB NUMBER
HURIN ROAD 1001A		January 20 1999		W	ESDORZU	3554
		Not to Scale				

GARAGE

EXTERIOR



LEAK DETECTION
MONITOR PANEL
EMERGENCY SHUT OFF

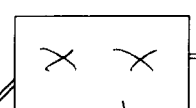
1/2" A/C POWER

3/4" D/C SUMP SENSOR, INTRINSICALLY SAFE

1/2" A/C POWER

1/2" PULSE WIRE 8760 BELDON

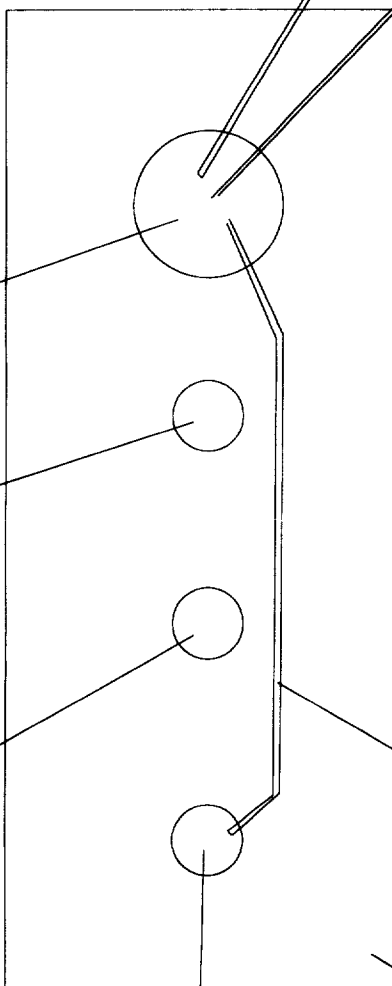
3/4" SWITCH DETECT A/C POWER



1/2" D/C INTERSTITIAL SPACE, INTRINSICALLY SAFE

3/4" D/C SUMP SENSOR, LEVEL PROBE, INTRINSICALLY SAFE

3/4" SUMP A/C POWER



12,000
GALLON
UST

DUMP
SUMP SENSOR

VENT

FILL

INTERSTITIAL

GAL



ENVIRONMENTAL
SERVICES
INC

DESIGN BY	DATE	DRAWN BY	SCALE
W. ESPARZA	January 20, 1999	JOB NUMBER	3554
			Not to Scale

FLORIN ROAD TOYOTA