

CITY OF SACRAMENTO
1231 I Street, Sacramento, CA 95814

Permit No: 0101064
Insp Area: 2

Site Address: 7844 CALZADA WY SAC
Parcel No: 117-1310-023 JACINTO VILLAGE 2 LOT 23

Sub-Type: NSFR
Housing (Y/N): N

CONTRACTOR
BEAZER HOMES
3009 DOUGLAS BL #150
ROSEVILLE CA 95661

OWNER

ARCHITECT

Nature of Work: NSFR MP2516 11 RMS 2 STORY

CONSTRUCTION LENDING AGENCY: I hereby affirm under penalty of perjury that there is a construction lending agency for the performance of the work for which this permit is issued (Sec. 3097, C.V.C.).

Lender's Name _____ Lender's Address _____

LICENSED CONTRACTORS DECLARATION: I hereby affirm under penalty of perjury that I am licensed under provisions of Chapter 9 (commencing with section 7000) of Division 3 of the Business and Professions Code and my license is in full force and effect.

License Class B License Number 724191 Date 2/20/01 Contractor Signature Sheuf VanMaen

OWNER-BUILDER DECLARATION: I hereby affirm under penalty of perjury that I am exempt from the contractors License Law for the following reason (Sec. 7031.5, Business and Professions Code): any city or county which requires a permit to construct, alter, improve, demolish, or repair any structure, prior to its issuance, also requires the applicant for such permit to file a signed statement that he or she is licensed pursuant to the provisions of the Contractors License Law (Chapter 9 (commencing with Section 7000) of Division 8 of the Business and Professions Code) or that he or she is exempt therefrom and the basis for the alleged exemption. Any violation of Section 7031.5 by any applicant for a permit subjects the applicant to a civil penalty of not more than five hundred dollars (\$500.00).

____ I, as a owner of the property, or my employees with wages as their sole compensation, will do the work, and the structure is not intended or offered for sale (Sec. 7044, Business and Professional Code. The Contractors License Law does not apply to an owner of property who builds or improves thereon, and who does such work himself or herself or through his/her own employees, provided that such improvements are not intended or offered for sale. If, however, the building or improvement is sold within one year of completion, the owner-builder will have the burden of proving that he/she did not build or improve for the purpose of sale.)

____ I, as owner of the property, am exclusively contracting with licensed contractors to construct the project (Sec. 7044, Business and Professions Code. The Contractors License Law does not apply to an owner of property who builds or improves thereon, and who contracts for such projects with a contractor(s) licensed pursuant to the Contractors License Law.)

____ I am exempt under Sec _____ B & PC for this reason: _____

Date _____ Owner Signature _____

IN ISSUING THIS BUILDING PERMIT, the applicant represents, and the city relies on the representation of the applicant, that the applicant verified all measurements and locations shown on the application or accompanying drawings and that the improvement to be constructed does not violate any law or private agreement relating to permissible or prohibited locations for such improvements. This building permit does not authorize any illegal location of any improvement or the violation of any private agreement relating to location of improvements.

I certify that I have read this application and state that all information is correct. I agree to comply with all city and county ordinances and state laws relating to building construction and hereby authorize representative(s) of this city to enter upon the above mentioned property for inspection purposes.

Date 2/20/01 Applicant Agent Signature Sheuf VanMaen

WORKER'S COMPENSATION DECLARATION: I hereby affirm under penalty of perjury one of the following declarations:

____ I have and will maintain a certificate of consent to self-insure for workers' compensation as provided for by Section 3700 of the Labor Code, for the performance of work for which the permit is issued

I have and will maintain workers' compensation insurance, as required by Section 3700 of the Labor Code, for the performance of the work for which this permit is issued. My workers' compensation insurance carrier and policy number are:

Carrier LIBERTY MUTUAL INS CO Policy Number WA2-651-004147-080 Exp Date 04/01/2001

____ (This section need not be completed if the permit is for \$100 or less) I certify that in the performance of the work for which this permit is issued, I shall not employ any person in any manner so as to become subject to the workers' compensation laws of California and agree that if I should become subject to the workers' compensation provisions of Section 3700 of the Labor Code, I shall forthwith comply with those provisions.

Date 2/20/01 Applicant Signature Sheuf VanMaen

WARNING: FAILURE TO SECURE WORKER'S COMPENSATION COVERAGE IS UNLAWFUL AND SHALL SUBJECT AN EMPLOYER TO CRIMINAL PENALTIES AND CIVIL FINES UP TO ONE HUNDRED THOUSAND DOLLARS (\$100,000) IN ADDITION TO THE COST OF COMPENSATION, DAMAGES AS PROVIDED FOR IN SECTION 3706 OF THE LABOR CODE, INTEREST AND ATTORNEY'S FEE.

THIS PERMIT SHALL EXPIRE BY LIMITATION IF WORK IS NOT COMMENCED WITHIN 180 DAYS.

RESIDENTIAL BUILDING PERMIT APPLICATION

New Construction Addition Remodels Other

Project Address: 7844 Calrada way lot 23 Assessor Parcel # 117 1310 023

OWNER INFORMATION:

Jacinto Village 2

Legal Property Owner: Beazer Homes Holdings Corp. Phone # 916-773-3888
Owner Address: 3009 Douglas Blvd. 150 City Roseville State CA Zip 95661

CONTRACTOR INFORMATION:

Contractor: Beazer Homes Lic. # B724191 Phone # 916-773-3888 Fax# 916-773-0425

PROJECT INFORMATION:

Land Use Zone _____ Occupancy Group _____ Construction Type _____ Fed Code _____
No. of stories: 2 No. of rooms: _____ Street width: _____
1st Floor Area 1210 2nd Floor Area 1230 Basement _____ Roof Material _____

AREA IN SQUARE FOOT OF:

EXISTING

NEW

Dwelling/Living	_____	<u>2510</u>
Garage/Storage	_____	<u>808</u>
Decks/Balconies	_____	<u>38</u>
Carports	_____	_____

SCOPE OF WORK: Single Family Dwelling

FOR OFFICE USE ONLY

- | | | |
|---|---|--|
| <input type="checkbox"/> Information above complete | <input type="checkbox"/> AR Flood Waiver required | <input type="checkbox"/> Planning Approval |
| <input type="checkbox"/> Violation files checked | <input type="checkbox"/> Flood Elevation Certificate Required | <input type="checkbox"/> Design Review Approval |
| <input type="checkbox"/> Standard setbacks | <input type="checkbox"/> Water Development Infill Area | <input type="checkbox"/> Special Fee Districts Apply : _____ |
| <input type="checkbox"/> County Sewer | | |

NEW STRUCTURES & ADDITIONS

◆ THE FOLLOWING MUST BE PROVIDED IN ORDER TO SUBMIT FOR PLAN REVIEW

- | | |
|---|---|
| <input type="checkbox"/> 2 COMPLETE PLANS, LEGIBLE & DRAWN TO SCALE | ◆ Plans to include: site plan, floor plan, elevations, roof/ceiling plan, foundation and structural framing details, and structural calculations for non-conforming structures. |
| <input type="checkbox"/> 3 SETS IF PROJECT IS IN A DESIGN REVIEW AREA | |
| <input type="checkbox"/> Title 24 Energy Compliance documentation | <input type="checkbox"/> 11" x 17" copy of floor plan for County Assessor |
| <input type="checkbox"/> Grading and Erosion Control Questionnaire | <input type="checkbox"/> Plan Review Fees |

Date: _____

Received by: (staff) _____

ACTIVITY/PERMIT # _____

KwikKote

No. 200-000321

Stucco System Installation Card

Job Name: BELLEFLEUR II
Address: 7844 CALZADA WY
EIK GROVE, CA
Lot #: 0001023

Stucco System Trade Name: KWIK KOTE
Stucco System Manufacturer: KWIK KOTE CORP.

ICBO Evaluation Service, Inc.
Report No. 3607
Date of Job Completion:

Home Builder: BEAZER HOMES
Address: 3009 DOUGLAS BLVD #150
ROSEVILLE, CA

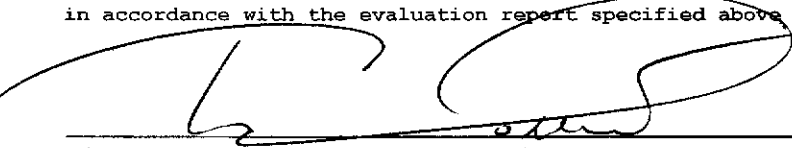
Stucco Contractor: KENYON PLASTERING, INC.
Address: PO BOX 2077
North Highlands, CA

Telephone Number: 916/349-8191

Approved Contractor Number as
issued by the Stucco Manufacturer: 1001

Card Print Date: 06/13/2001

This is to certify that the stucco system on the building exterior at the above address had been installed in accordance with the evaluation report specified above and the manufacturer's instructions.


Signature of authorized representative of stucco contractor

7-23-01
Date

CERTIFICATION OF INSULATION

PART I GENERAL

ADDRESS OR TRACT <div style="font-size: 2em; font-family: cursive;">BEAZER</div> <div style="float: right; margin-top: 10px;">LOT # 1073</div>	SACRAMENTO INSULATION CONTRACTORS <input checked="" type="checkbox"/> P.O. BOX 854, WEST SACRAMENTO, CA 95691 LIC. #202026 <input type="checkbox"/> 1309 MELODY ROAD, MARYSVILLE, CA 95901 LIC. #202026 <input type="checkbox"/> P.O. BOX 9651, FRESNO, CA 93793-9651 LIC. #202026 <input type="checkbox"/> P.O. BOX 1631, RENO, NV 89505 LIC. #10675 <input type="checkbox"/> 3326 A PONDEROSA WAY, LAS VEGAS, NV 89118 LIC. #10675
BELLE FLEUR II	
DATE INSULATION COMPLETED	

PART II AREAS INSULATED

WALLS		CEILINGS			FLOORS	
(SQUARE FEET)		(SQUARE FEET)			(SQUARE FEET)	
TYPE OF INSULATION		TYPE OF INSULATION			TYPE OF INSULATION	
MATERIAL FIBERGLASS		MATERIAL FIBERGLASS			MATERIAL FIBERGLASS	
FORM BATTS		FORM BATTS & BLOW			FORM BATTS	
MANUFACTURER'S PRODUCT I.D.		MANUFACTURER'S PRODUCT I.D.			MANUFACTURER'S PRODUCT I.D.	
MANUFACTURER		MANUFACTURER			MANUFACTURER	
OCF		OCF			OCF	
BAGS						
R - VALUE INSTALLED	APPLIED THICKNESS	R - VALUE INSTALLED	APPLIED THICKNESS	MIN. INSTALLED WEIGHT PER SQUARE FOOT	R - VALUE INSTALLED	APPLIED THICKNESS
13	3 5/8"	30 30	9" 12"			
KNEE WALLS IF R-VALUE IS OTHER THAN WALLS ABOVE						
MATERIAL FIBERGLASS		FORM BATTS		R-VALUE	MANUFACTURER OCF	
AIR INFILTRATION SEALANT				MANUFACTURER W R GRACE		
MATERIAL FOAM						

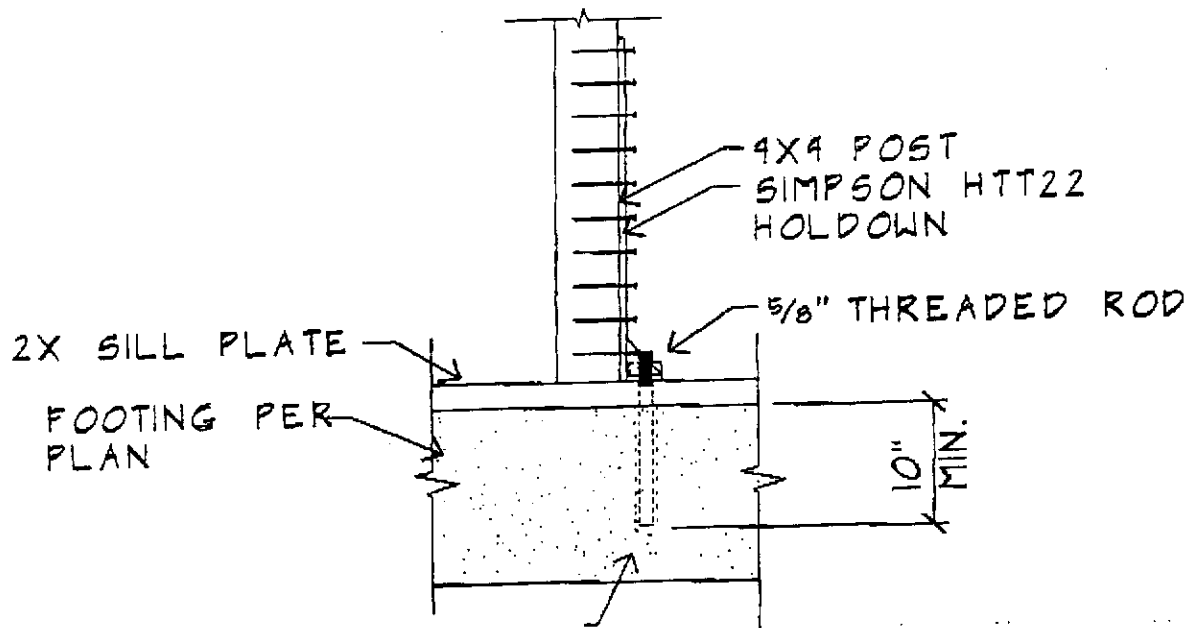
THIS IS TO CERTIFY THAT INSULATION AND/OR SEALANT HAS BEEN INSTALLED IN CONFORMANCE WITH APPLICABLE CODES, MATERIAL STANDARDS AND REGULATIONS.

SIGNATURE—INSULATION CONTRACTOR 	TITLE MANAGER	DATE 7-9-01
SIGNATURE—GENERAL CONTRACTOR	TITLE	DATE

REMARKS

PART III CERTIFICATION

PLAN ADDENDUM



DRILLED $\frac{3}{4}$ " ϕ HOLE AND EPOXY
WITH SIMPSON SET EPOXY SYSTEM
PER MANUFACTURES SPECIFICATIONS

HTT22 HOLDOWN REPAIR DETAIL WITH EPOXY SYSTEM

HTT22 EPOXY FIX

NORMAN SCHEEL
STRUCTURAL ENGINEER
5022 SUNRISE BLVD
FAIR OAKS, CA 95628
PHONE (916) 536-9585
FAX (916) 536-0260

PROJECT BELFLIER II
CLIENT BELZER HOMES
JOB NO. 20234
PROJECT MGR. ROB
DATE 2/9/01
PAGE 1 OF 1





CAPITOL ENGINEERING LABORATORIES, INC.

631 Commerce Drive, Suite #200 • Roseville, California 95678 • (916) 786-2488

JOB REPORT

PAGE: _____

PROJECT NAME: BELE FLEUR II

FILE NO. 5222

INSPECTOR: KENNETH JOHN

DATE: 6-8-01

PERSONS CONTACTED: CVC

PERMIT #: _____

REFERENCE DOCUMENTS: ICBO Report 4945

WEATHER: CLERK

SERVICE PROVIDED: CONCRETE (INSP/SAMPLE ONLY/PU) MASONRY WELDING (SHOP/FIELD) SOILS

OTHER: REPAIR ROOFS

Proof Loaded repaired Roofs to 150% Allowable
up to 6015 lbs for 5/8"

Lot 23 - Loaded 25 - 5/8" without MOVEMENT

Lot 32 - Loaded 7 - 5/8" @ 2 - 7/8" " "

Lot 45 - witness installation of 2 - 5/8" USING SIMPSON
STRONG tie repair. Dried 12/02.

COMPLIANCE OF WORK: _____

ATTACHMENTS: _____

EQUIPMENT/SUPPLIES USED: _____

NEXT VISIT: _____

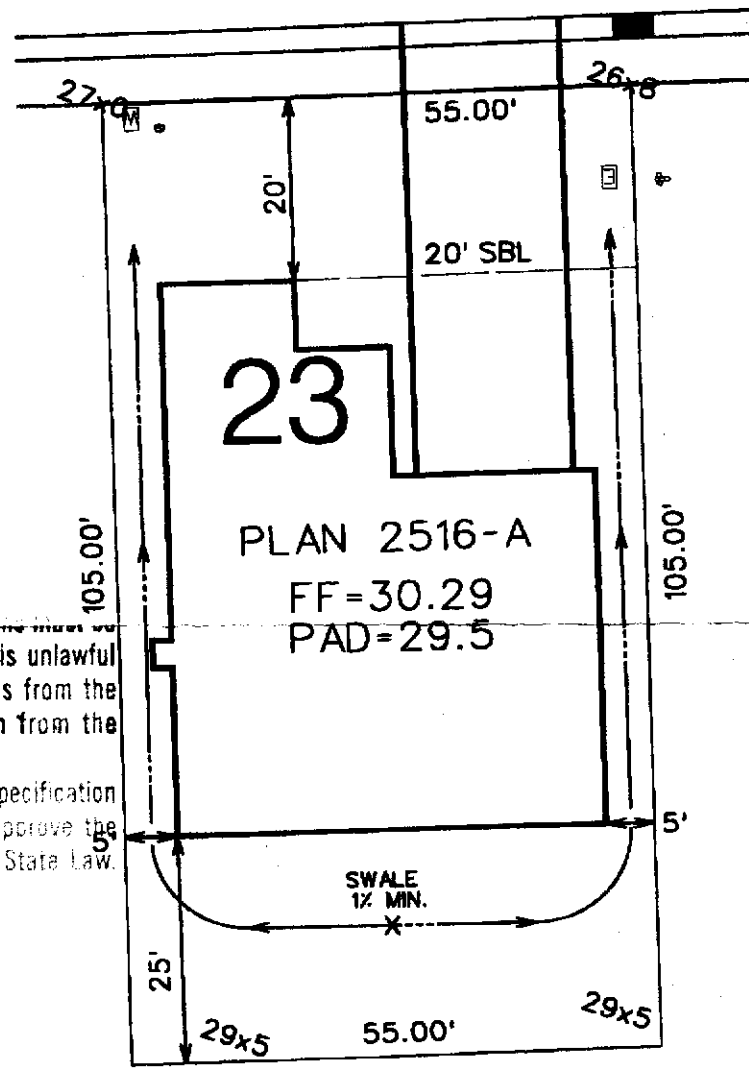
REMARKS: _____

REVIEWED BY: Kenneth John DATE: _____

THIS PLOT PLAN IS NOT FOR SALES PURPOSES. THIS PLOT PLAN IS FOR THE PURPOSES OF INDICATING COMPLIANCE WITH ZONING SET BACKS, GENERAL DRAINAGE DIRECTION, AND APPROXIMATE UTILITY CONNECTION. ALL OTHER DATA SHOWN HEREON IS CONCEPTUAL. THIS PLOT PLAN DOES NOT REFLECT AS-BUILT CONDITION. RETAINING WALLS ARE OPTIONAL AND MAY OR MAY NOT BE CONSTRUCTED.

CALZADA WAY

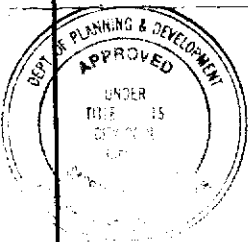
- ☒ — WATER METER BOX
- ☒ — ELECTRICAL BOX
- — UTILITY RISERS
- — SEWER CLEANOUT
- ☒ — STREET LIGHT
- ☒ — FIRE HYDRANT
- ☒ — TRANSFORMER
- ☒ — ELECTRICAL VAULT
- ☒ — TELEPHONE PED.
- — DRAIN INLET



23
 PLAN 2516-A
 FF=30.29
 PAD=29.5

This set of plans and specifications must be kept on the job at all times and it is unlawful to make any changes or alterations from the same without written permission from the Building Inspection Division.

The approval of this plan and specification SHALL NOT be held to permit or approve the violation of any City Ordinance or State Law.

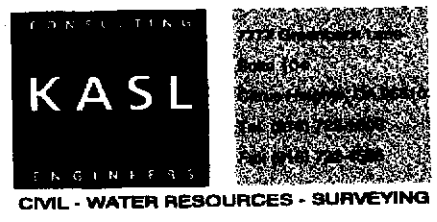


DATE	12/28/00	BY	[Signature]
REVISION			
REVISION			
REVISION			



SCALE: 1"=20'

5775 SQUARE FEET



PLOT PLAN FOR
 LOT 23
 JACINTO VILLAGE UNIT 1
 A.P.N.
 ADDRESS:
 COUNTY: SACRAMENTO

SCALE: 1"=20'
 DATE: 12-28-00
 REVISED:
 DRAWN BY: PWG
 CHK'D. BY: LK
 W.O. 0435-02