

**CITY OF SACRAMENTO**

**Permit No: 9806189**

**1231 I Street, Sacramento, CA 95814**

**Insp Area: 2**

**Site Address: 2772 MARTY WY SAC**

**Sub-Type: ASFR**

**Parcel No: 0120073003**

**Housing (Y/N): N**

**CONTRACTOR**

ABRAHAMS CONST  
2774 14 ST  
SACRAMENTO CA

**OWNER**

OSTRANDER PATRICIA A/FREDERICK  
2772 MARTY WY  
SACRAMENTO CA

**ARCHITECT**

**Nature of Work: REMOVE EXISTING GARAGE AND BUILD NEW GARAGE**

**CONSTRUCTION LENDING AGENCY :** I hereby affirm under penalty of perjury that there is a construction lending agency for the performance of the work for which this permit is issued (Sec. 3097, Civ. C).

- Lender's Name \_\_\_\_\_ Lender's Address \_\_\_\_\_

**LICENSED CONTRACTORS DECLARATION:** I hereby affirm under penalty of perjury that I am licensed under provisions of Chapter 9 (commencing with section 7000) of Division 3 of the Business and Professions Code and my license is in full force and effect.

License Class B License Number 662204 Date 7/6/98 Contractor Signature Muel P. L. Alvarez

**OWNER-BUILDER DECLARATION:** I hereby affirm under penalty of perjury that I am exempt from the contractors License Law for the following reason (Sec. 7031.5, Business and Professions Code; any city or county which requires a permit to construct, alter, improve, demolish, or repair any structure, prior to its issuance, also requires the applicant for such permit to file a signed statement that he or she is licensed pursuant to the provisions of the Contractors License Law (Chapter 9 (commencing with Section 7000) of Division 8 of the Business and Professions Code) or that he or she is exempt therefrom and the basis for the alleged exemption. Any violation of Section 7031.5 by any applicant for a permit subjects the applicant to a civil penalty of not more than five hundred dollars (\$500.00);

\_\_\_\_ I, as a owner of the property, or my employees with wages as their sole compensation, will do the work, and the structure is not intended or offered for sale (Sec. 7044, Business and Professional Code: The Contractors License Law does not apply to an owner of property who builds or improves thereon, and who does such work himself or herself or through his/her own employees, provided that such improvements are not intended or offered for sale. If, however, the building or improvement is sold within one year of completion, the owner-builder will have the burden of proving that he/she did not build or improve for the purpose of sale.)

\_\_\_\_ I, as owner of the property, am exclusively contracting with licensed contractors to construct the project (Sec. 7044, Business and Professions Code: The Contractors License Law does not apply to an owner of property who builds or improves thereon, and who contracts for such projects with a contractor(s) licensed pursuant to the Contractors License Law).

\_\_\_\_ I am exempt under Sec. \_\_\_\_\_ B & PC for this reason: \_\_\_\_\_

Date \_\_\_\_\_ Owner Signature \_\_\_\_\_

**IN ISSUING THIS BUILDING PERMIT,** the applicant represents, and the city relies on the representation of the applicant, that the applicant verified all measurements and locations shown on the application or accompanying drawings and that the improvement to be constructed does not violate any law or private agreement relating to permissible or prohibited locations for such improvements. This building permit does not authorize any illegal location of any improvement or the violation of any private agreement relating to location of improvements.

I certify that I have read this application and state that all information is correct. I agree to comply with all city and county ordinances and state laws relating to building construction and hereby authorize representative(s) of this city to enter upon the above-mentioned property for inspection purposes.

Date 7/6/98 Applicant/Agent Signature Muel P. L. Alvarez

**WORKER'S COMPENSATION DECLARATION:** I hereby affirm under penalty of perjury one of the following declarations:

\_\_\_\_ I have and will maintain a certificate of consent to self-insure for workers' compensation as provided for by Section 3700 of the Labor Code, for the performance of work for which the permit is issued.

\_\_\_\_ I have and will maintain workers' compensation insurance, as required by Section 3700 of the Labor Code, for the performance of the work for which this permit is issued. My workers' compensation insurance carrier and policy number are:

Carrier \_\_\_\_\_ Policy Number \_\_\_\_\_

\_\_\_\_ (This section need not be completed if the permit is for \$100 or less) I certify that in the performance of the work for which this permit is issued, I shall not employ any person in any manner so as to become subject to the workers' compensation laws of California and agree that if I should become subject to the workers' compensation provisions of Section 3700 of the Labor Code, I shall forthwith comply with those provisions.

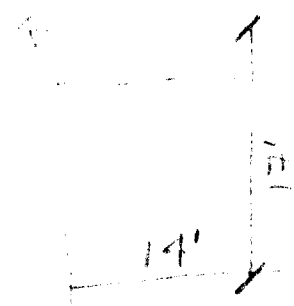
Date 7/6/98 Applicant Signature Muel P. L. Alvarez

**WARNING: FAILURE TO SECURE WORKER'S COMPENSATION COVERAGE IS UNLAWFUL AND SHALL SUBJECT AN EMPLOYER TO CRIMINAL PENALTIES AND CIVIL FINES UP TO ONE HUNDRED THOUSAND DOLLARS (\$100,000) IN ADDITION TO THE COST OF COMPENSATION, DAMAGES AS PROVIDED FOR IN SECTION 3706 OF THE LABOR CODE, INTEREST AND ATTORNEY'S FEE.**

**THIS PERMIT SHALL EXPIRE BY LIMITATION IF WORK IS NOT COMMENCED WITHIN 180 DAYS.**

2007.08.01  
 2007.08.01  
 2007.08.01

2007.08.01  
 2007.08.01

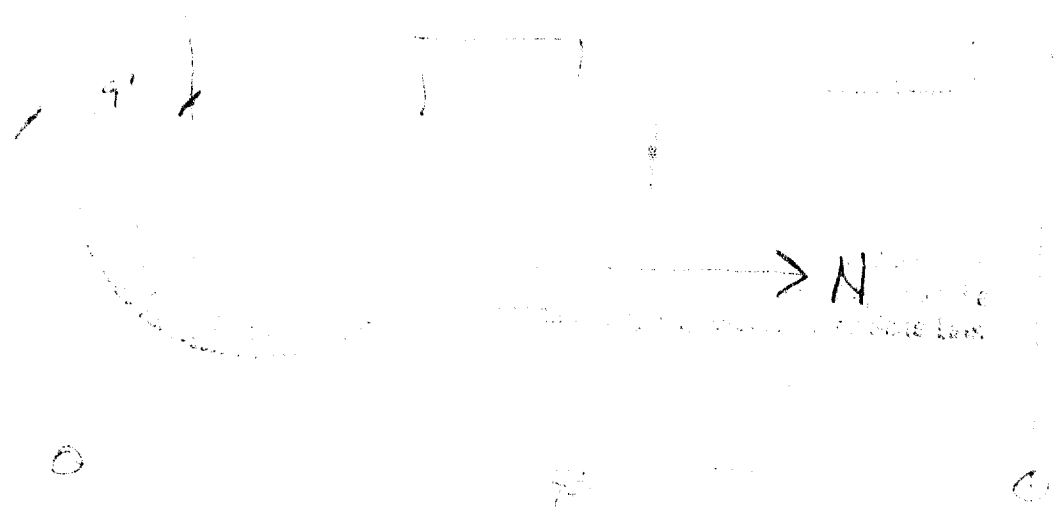


(L) 11' x 14' (20' x 23')  
 7' x 7'  
 11' x 14'



E,  
 DATE  
 2007.08.01

EXISTING  
 HOUSE



PLAT 10 AM 13 Nakashima

2772  
2772  
Sacramento

Plan this vent  
required on  
these walls

7/8" 3 COAT  
STUCCO

5/8" ROCK

DOOR  
7'11"

17'6"

20'

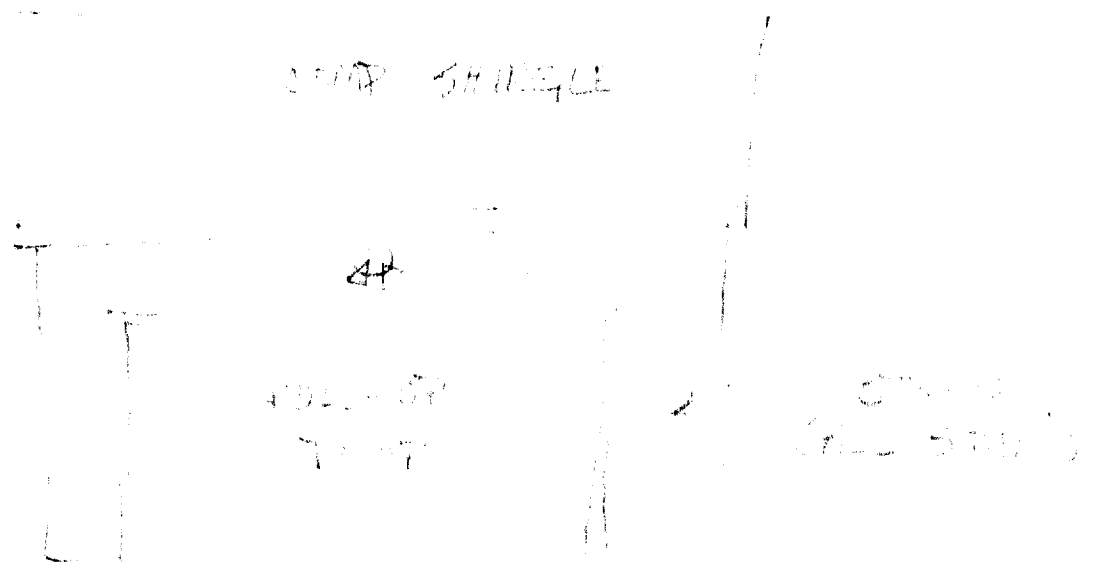
17'6"

5'8"

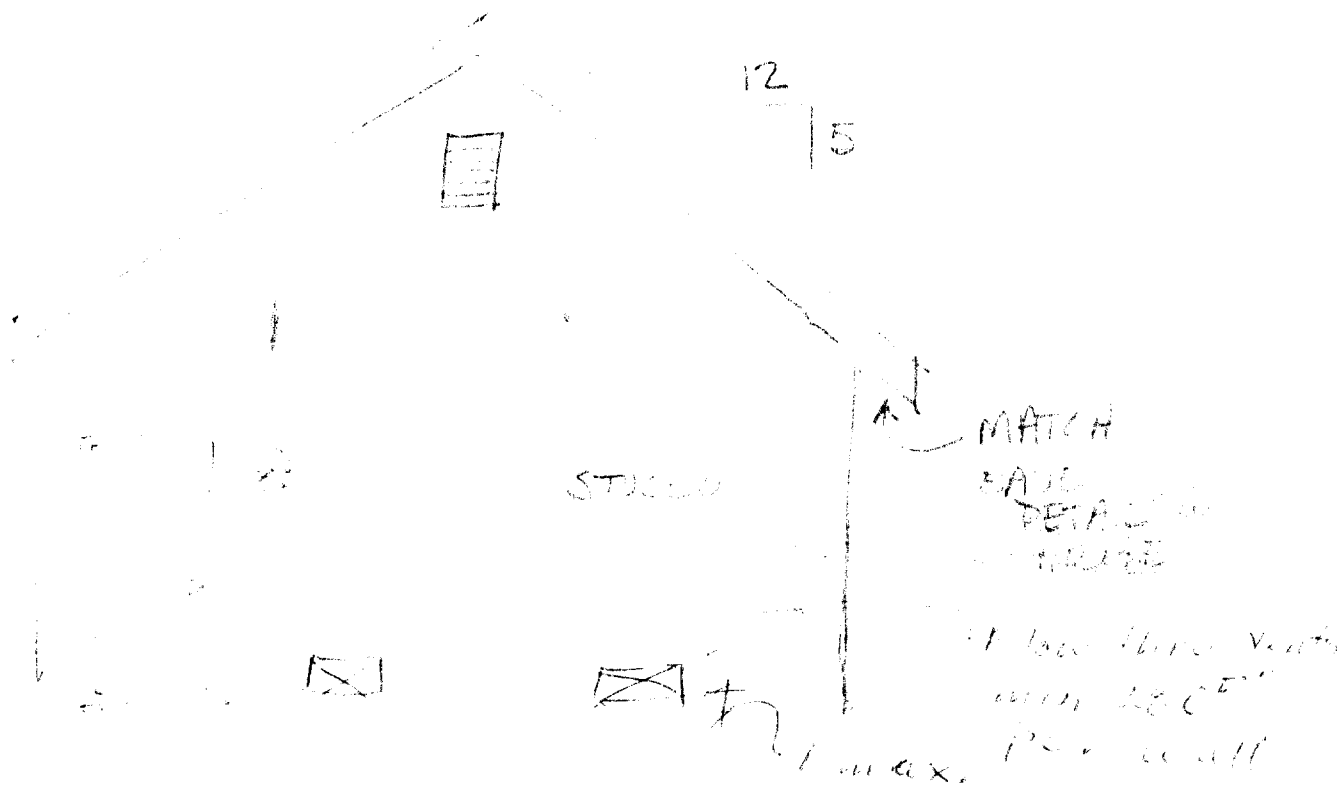
7'4"

FLOOR PLAN

FRONT ELEVATION  
SIDE ELEVATION  
REAR ELEVATION

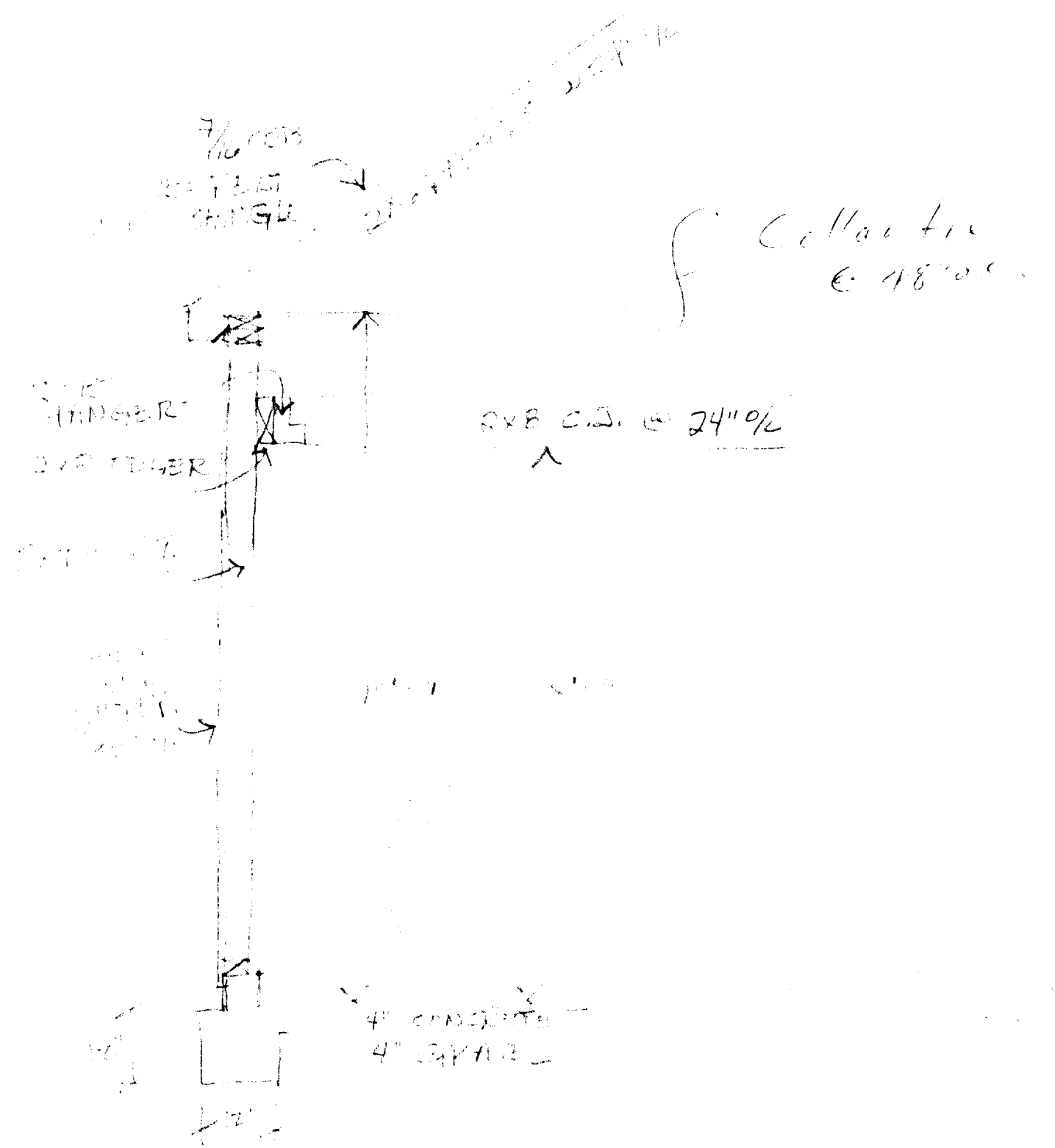


FRONT ELEVATION



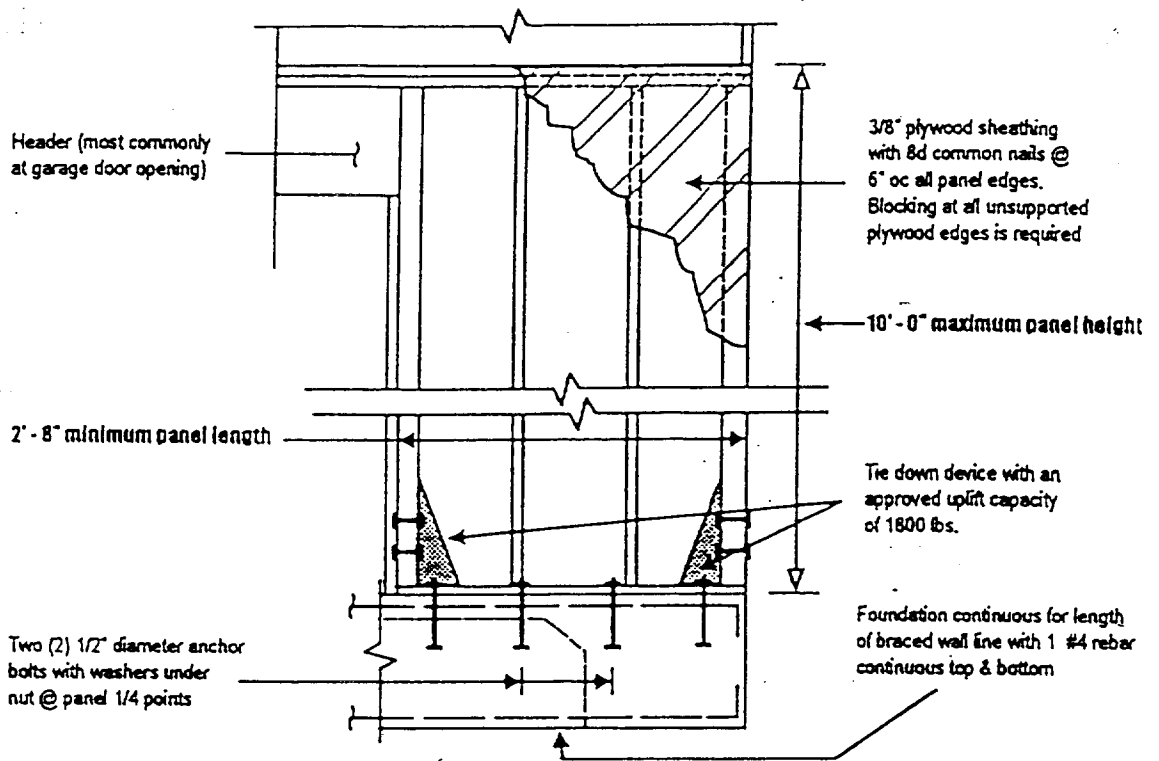
REAR ELEVATION

1000  
 1000  
 1000

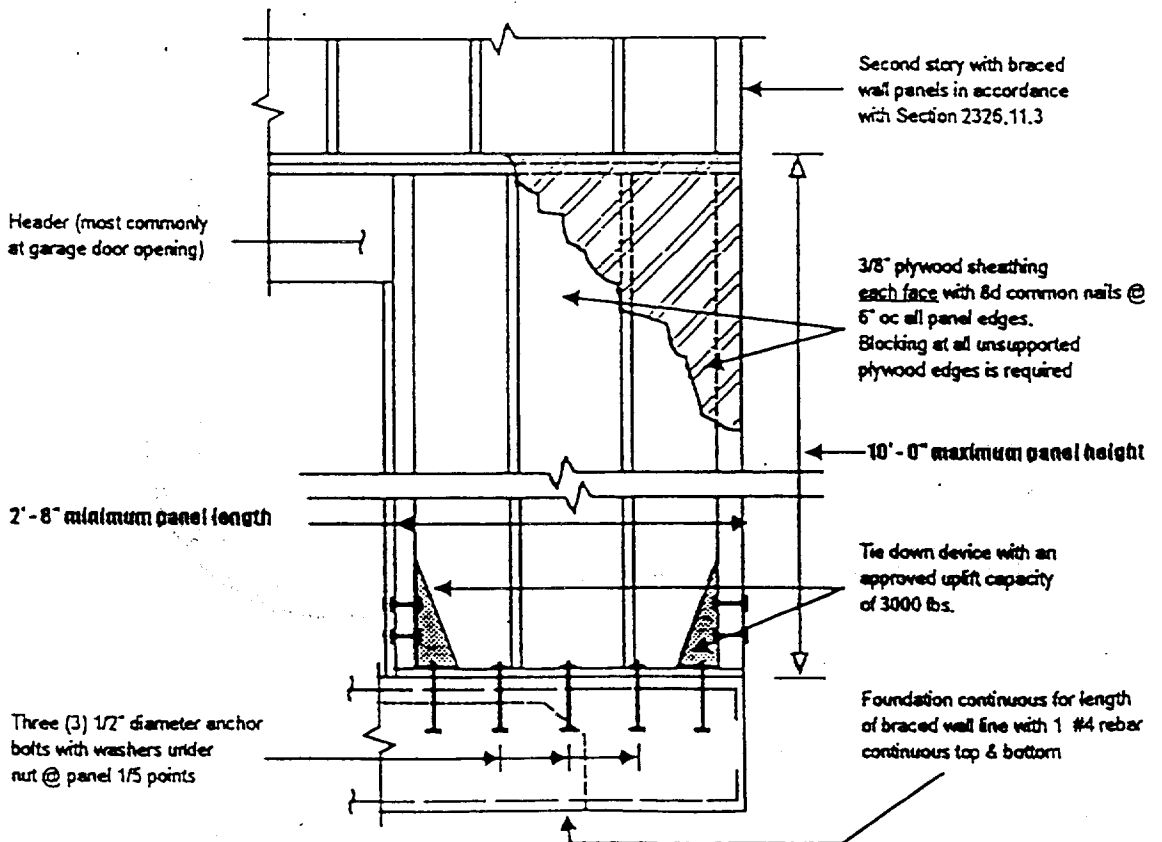


FRAME SECTION

## ALTERNATE BRACED WALL PANEL at One Story Building



## ALTERNATE BRACED WALL PANEL At First Story of a Two Story Building



A3



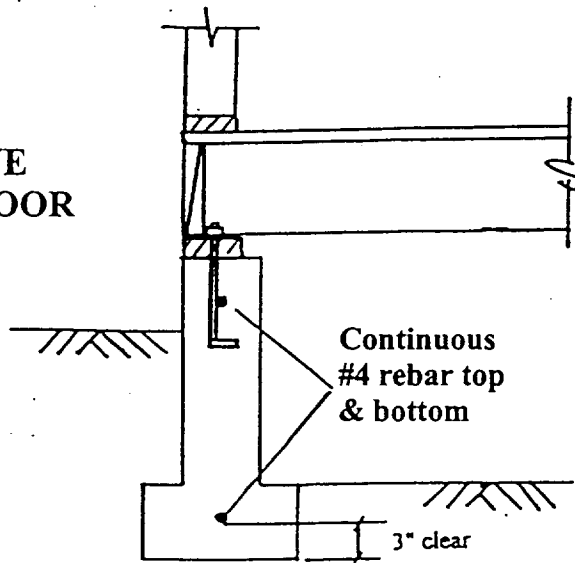
# CITY OF SACRAMENTO

DEVELOPMENT SERVICES  
1231 I STREET, ROOM 200, SACRAMENTO, CALIFORNIA 95814

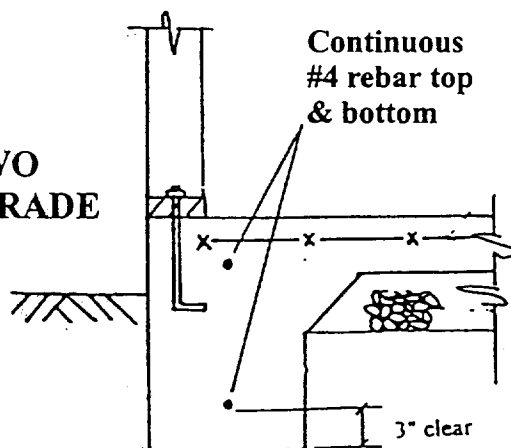
## CITY POLICY ON MINIMUM FOUNDATION REINFORCEMENT FOR FOOTINGS

Continuous foundations shall be reinforced with not less than two No. 4 deformed steel bars (top and bottom of the footing). Refer to Figure 1 and Figure 2 for the locations of required foundation reinforcement steel.

**FIGURE ONE  
RAISED FLOOR**



**FIGURE TWO  
SLAB ON GRADE**



NOVEMBER 18, 1997

EFFECTIVE DATE

REVISION DATE

A7