

CITY OF SACRAMENTO
1231 I Street, Sacramento, CA 95814

Permit No: 0505429

Insp Area: 4
Thos Bros: 277B3

Site Address: 18 LYLEWOOD CT SAC
Parcel No: 225-1430-024

Sub-Type: AOTHR
Housing (Y/N): N

CONTRACTOR

OWNER
NGUYEN TAN/LIANE QUIRK
18 LYLEWOOD CT
SACRAMENTO, CA 95834

ARCHITECT

Nature of Work: NEW 120 SF WOOD PATIO COVER

CONSTRUCTION LENDING AGENCY : I hereby affirm under penalty of perjury that there is a construction lending agency for the performance of the work for which this permit is issued (Sec. 3097, Civ. C).

Lender's Name _____ Lender's Address _____

LICENSED CONTRACTORS DECLARATION: I hereby affirm under penalty of perjury that I am licensed under provisions of Chapter 9 (commencing with section 7000) of Division 3 of the Business and Professions Code and my license is in full force and effect.

License Class _____ License Number _____ Date _____ Contractor Signature _____

OWNER-BUILDER DECLARATION: I hereby affirm under penalty of perjury that I am exempt from the contractors License Law for the following reason (Sec. 7031.5, Business and Professions Code; any city or county which requires a permit to construct, alter, improve, demolish, or repair any structure, prior to its issuance, also requires the applicant for such permit to file a signed statement that he or she is licensed pursuant to the provisions of the Contractors License Law (Chapter 9 (commencing with Section 7000) of Division 8 of the Business and Professions Code) or **PAID** he is exempt therefrom and the basis for the alleged exemption. Any violation of Section 7031.5 by any applicant for a permit subjects the applicant to a civil penalty of not more than five hundred dollars (\$500.00);

I, as a owner of the property, or my employees with wages as their sole compensation, will do the work, and the structure is not intended or offered for sale (Sec. 7044, Business and Professional Code: The Contractors License Law does not apply to an owner of property who builds or improves thereon, and who does such work himself or herself or through his/her own employees, provided that such improvements are not intended or offered for sale. If, however, the building or improvement is sold within one year of completion, the owner-builder will have the burden of proving that he/she did not build or improve for the purpose of sale.)

____ I, as owner of the property, am exclusively contracting with licensed contractors to construct the project (Sec. 7044, Business and Professions Code: The Contractors License Law does not apply to an owner of property who builds or improves thereon, and who contracts for such projects with a contractor(s) licensed pursuant to the Contractors License Law).

____ I am exempt under Sec. _____ B & PC for this reason: _____

Date 4/20/05 Owner Signature [Signature]

IN ISSUING THIS BUILDING PERMIT, the applicant represents, and the city relies on the representation of the applicant, that the applicant verified all measurements and locations shown on the application or accompanying drawings and that the improvement to be constructed does not violate any law or private agreement relating to permissible or prohibited locations for such improvements. This building permit does not authorize any illegal location of any improvement or the violation of any private agreement relating to location of improvements.

I certify that I have read this application and state that all information is correct. I agree to comply with all city and county ordinances and state laws relating to building construction and hereby authorize representative(s) of this city to enter upon the above-mentioned property for inspection purposes.

Date 4/20/05 Applicant/Agent Signature [Signature]

WORKER'S COMPENSATION DECLARATION: I hereby affirm under penalty of perjury one of the following declarations:

____ I have and will maintain a certificate of consent to self-insure for workers' compensation as provided for by Section 3700 of the Labor Code, for the performance of work for which the permit is issued.

____ I have and will maintain workers' compensation insurance, as required by Section 3700 of the Labor Code, for the performance of the work for which this permit is issued. My workers' compensation insurance carrier and policy number are:

Carrier _____ Policy Number _____ Exp Date _____

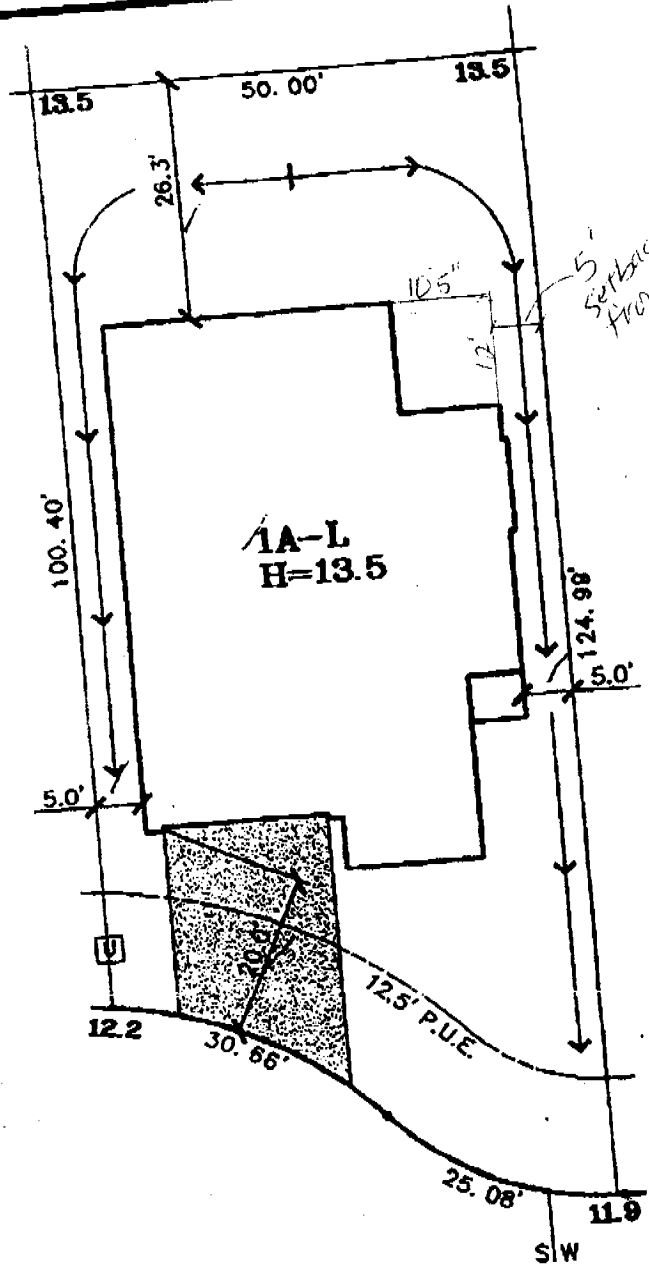
(This section need not be completed if the permit is for \$100 or less) I certify that in the performance of the work for which this permit is issued, I shall not employ any person in any manner so as to become subject to the workers' compensation laws of California and agree that if I should become subject to the workers' compensation provisions of Section 3700 of the Labor Code, I shall forthwith comply with those provisions.

Date 4/20/05 Applicant Signature [Signature]

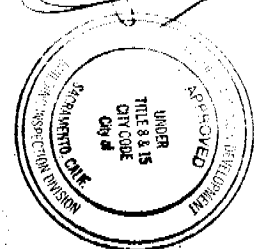
WARNING: FAILURE TO SECURE WORKER'S COMPENSATION COVERAGE IS UNLAWFUL AND SHALL SUBJECT AN EMPLOYER TO CRIMINAL PENALTIES AND CIVIL FINES UP TO ONE HUNDRED THOUSAND DOLLARS (\$100,000) IN ADDITION TO THE COST OF COMPENSATION, DAMAGES AS PROVIDED FOR IN SECTION 3706 OF THE LABOR CODE, INTEREST AND ATTORNEY'S FEE.

THIS PERMIT SHALL EXPIRE BY LIMITATION IF WORK IS NOT COMMENCED WITHIN 180 DAYS.

0505429



APPROVED SETBACKS
DATE: 11-2-00
APPROVED BY: [Signature]
CITY OF SACRAMENTO



This set of plans and specifications must be kept on the job at all times and it is unlawful to make any changes or alterations from the same without written permission from the Building Inspection Division. The approval of this plan and specification SHALL NOT be held to permit or approve the violation of any City Ordinance or State Law.

LEGEND

- PUBLIC UTILITY EASEMENT
- S SEWER SERVICE
- W WATER SERVICE
- UTILITY BOX
- * STREET LIGHT
- DRAIN INLET
- ◆ FIRE HYDRANT

CITY COPY

18 LYLEWOOD COURT

Aprn # 225-1430-024

DATE: 11-2-00
LOT AREA: 5,644 SF
LOT COVERAGE: 33%

18 LYLEWOOD CT

THIS PLAN IS PREPARED TO SHOW THE DIMENSIONAL RELATIONSHIP FROM BUILDING FOUNDATION TO PROPERTY LINE, DESIGN DRAINAGE CONTROL ELEVATIONS, AND DIRECTION OF DRAINAGE FLOW TO CONFORM WITH LOCAL ORDINANCES FOR THE PURPOSE OF BUILDING PERMIT ISSUANCE. INFORMATION SHOWN IS APPROXIMATE EXCEPT FOR THOSE SETBACKS WHICH ARE MINIMUMS REQUIRED BY ORDINANCE. THIS PLAN DOES NOT REFLECT AS BUILT CONDITIONS WHICH WILL LIKELY VARY FROM THIS PLAN.

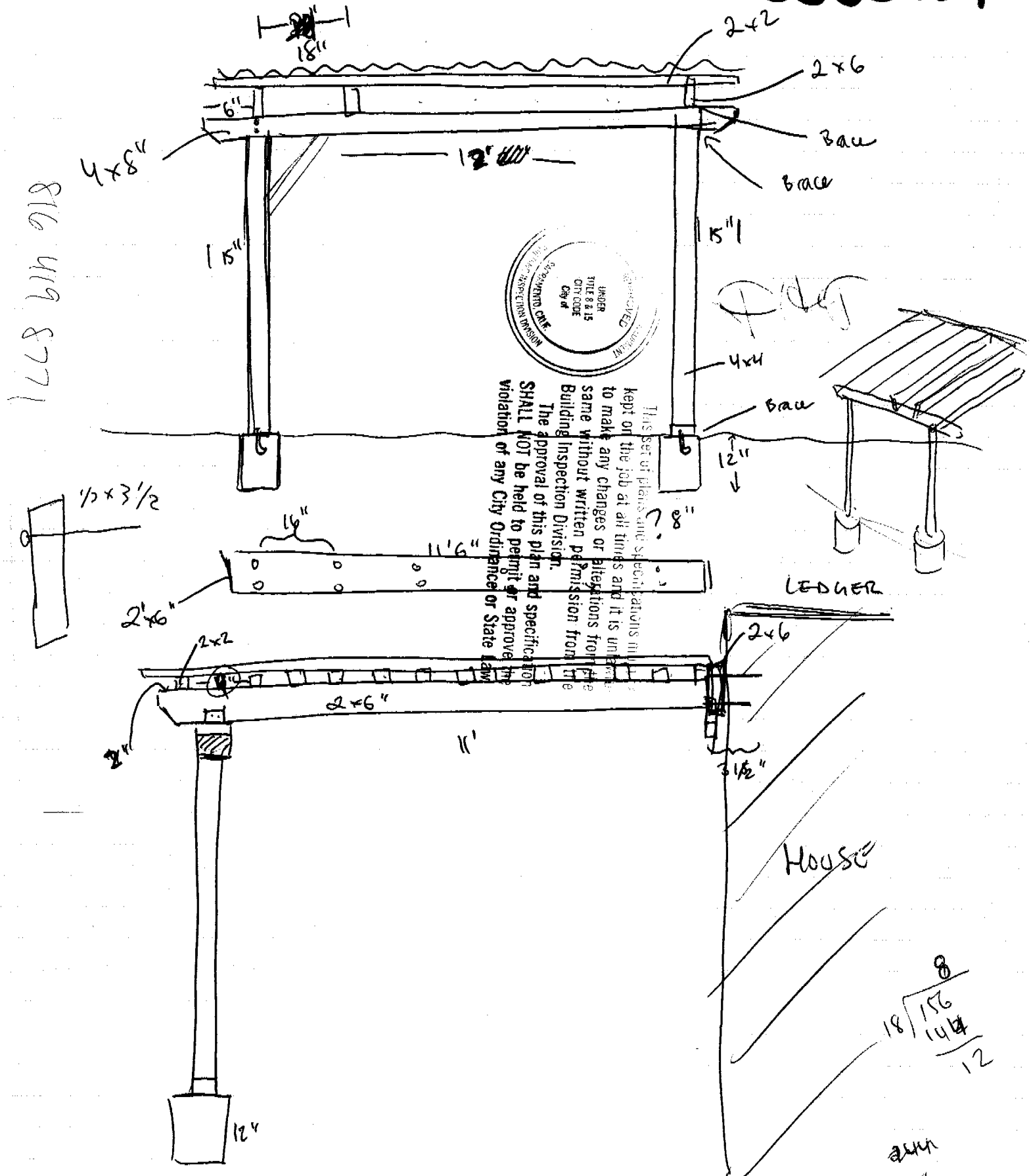
The Splink Corporation
2590 VENTURE OAKS WAY
SACRAMENTO, CA. 95833
FAX: (916) 921-9274

NATOMAS CROSSING
VILLAGE 22
18 LYLEWOOD CT.
A.P.N.:
LOT 24
PLAN 1A

RYLAND HERITAGE
CITY OF SACRAMENTO, CA
CLIENT: RYLAND HOMES
CONTACT: LINDA STEINF
PHONE: 916-784-1330
JOB NO.: 7684-003

0505429

816 419 8771



CITY COPY

18 LYLEWOOD CT

18	8
156	
144	
12	

2444
156