

**CITY OF SACRAMENTO**  
1231 I Street, Sacramento, CA 95814

**Permit No: 9909019**  
**Insp Area: 4**

**Site Address: 45 DRAWBRIDGE CT SAC**  
Parcel No: 274-0520-013 RIVERWALK LOT 48

Sub-Type: NSFR  
Housing (Y/N): N

**CONTRACTOR**  
MYERS HOMES INC.  
3300 FITZGERALD RD.  
RANCHO CORDOVA CA. 95742

**OWNER**

**ARCHITECT**

**Nature of Work: MP 1879 2 STORY 9 ROOM SFR**

**CONSTRUCTION LENDING AGENCY :** I hereby affirm under penalty of perjury that there is a construction lending agency for the performance of the work for which this permit is issued (Sec. 3097, Civ. C).

Lender's Name \_\_\_\_\_ Lender's Address \_\_\_\_\_

**LICENSED CONTRACTORS DECLARATION:** I hereby affirm under penalty of perjury that I am licensed under provisions of Chapter 9 (commencing with section 7000) of Division 3 of the Business and Professions Code and my license is in full force and effect.

License Class B License Number 744072 Date 9-17-99 Contractor Signature [Signature]

**OWNER-BUILDER DECLARATION:** I hereby affirm under penalty of perjury that I am exempt from the contractors License Law for the following reason (Sec. 7031.5, Business and Professions Code, any city or county which requires a permit to construct, alter, improve, demolish, or repair any structure, prior to its issuance, also requires the applicant for such permit to file a signed statement that he or she is licensed pursuant to the provisions of the Contractors License Law (Chapter 9 (commencing with Section 7000) of Division 8 of the Business and Professions Code) or that he or she is exempt therefrom and the basis for the alleged exemption. Any violation of Section 7031.5 by any applicant for a permit subjects the applicant to a civil penalty of not more than five hundred dollars (\$500.00).

I, as a owner of the property, or my employees with wages as their sole compensation, will do the work, and the structure is not intended or offered for sale (Sec. 7044, Business and Professional Code: The Contractors License Law does not apply to an owner of property who builds or improves thereon, and who does such work himself or herself or through his/her own employees, provided that such improvements are not intended or offered for sale. If, however, the building or improvement is sold within one year of completion, the owner-builder will have the burden of proving that he/she did not build or improve for the purpose of sale.)

I, as owner of the property, am exclusively contracting with licensed contractors to construct the project (Sec. 7044, Business and Professions Code. The Contractors License Law does not apply to an owner of property who builds or improves thereon, and who contracts for such projects with a contractor(s) licensed pursuant to the Contractors License Law).

I am exempt under Sec. \_\_\_\_\_ B & PC for this reason: \_\_\_\_\_

Date \_\_\_\_\_ Owner Signature \_\_\_\_\_

**IN ISSUING THIS BUILDING PERMIT,** the applicant represents, and the city relies on the representation of the applicant, that the applicant verified all measurements and locations shown on the application or accompanying drawings and that the improvement to be constructed does not violate any law or private agreement relating to permissible or prohibited locations for such improvements. This building permit does not authorize any illegal location of any improvement or the violation of any private agreement relating to location of improvements.

I certify that I have read this application and state that all information is correct. I agree to comply with all city and county ordinances and state laws relating to building construction and herby authorize representative(s) of this city to enter upon the abovementioned property for inspection purposes.

Date 9-17-99 Applicant/Agent Signature [Signature]

**WORKER'S COMPENSATION DECLARATION:** I hereby affirm under penalty of perjury one of the following declarations:

I have and will maintain a certificate of consent to self-insure for workers' compensation as provided for by Section 3700 of the Labor Code, for the performance of work for which the permit is issued.

I have and will maintain workers' compensation insurance, as required by Section 3700 of the Labor Code, for the performance of the work for which this permit is issued. My workers' compensation insurance carrier and policy number are:

Carrier RELIANCE NAT INS CO Policy Number NWAO154613 Exp Date 04/01/2000

(This section need not be completed if the permit is for \$100 or less) I certify that in the performance of the work for which this permit is issued, I shall not employ any person in any manner so as to become subject to the workers' compensation laws of California and agree that if I should become subject to the workers' compensation provisions of Section 3700 of the Labor Code, I shall forthwith comply with those provisions.

Date 9-17-99 Applicant Signature [Signature]

**WARNING - FAILURE TO SECURE WORKER'S COMPENSATION COVERAGE IS UNLAWFUL AND SHALL SUBJECT AN EMPLOYER TO CRIMINAL PENALTIES AND CIVIL FINES UP TO ONE HUNDRED THOUSAND DOLLARS (\$100,000) IN ADDITION TO THE COST OF COMPENSATION, DAMAGES AS PROVIDED FOR IN SECTION 3706 OF THE LABOR CODE, INTEREST AND ATTORNEY'S FEE.**

**THIS PERMIT SHALL EXPIRE BY LIMITATION IF WORK IS NOT COMMENCED WITHIN 180 DAYS.**

LOT 48

**OMEGA PRODUCTS CORP.**

**BLANDED WALL INSULATING STUCCO SYSTEM**

JOB ADDRESS:

45 Drawbridge Ct

ICND Report #4004

Date of Job Completion \_\_\_\_\_

PLASTERING CONTRACTOR:

Name: Norscal Plastering

Address: Box 355 Lincoln Ca 95648

Telephone No: (916) 645-7337

Contractor Number of Bimmed Wall System 2130

This is to certify that the exterior coating system on the building exterior at the above address has been installed in accordance with the evaluation report specified above and the manufacturer's instructions.

Date \_\_\_\_\_

Jim Sweeney  
Signature of authorized representative of  
Plastering Contractor

This installation card must be presented to the building inspector after completion of work and before final inspection.

# CERTIFICATION OF INSULATION

PART I GENERAL

*MEYERS*

LOT # *48*

*45 Drawbridge*

*Riverwalk SERIES I*

- P.O. BOX 854, WEST SACRAMENTO, CA 95691 LIC. #202028
- 1309 MELODY ROAD, MARYSVILLE, CA 95901 LIC. #202028
- P.O. BOX 9651, FRESNO, CA 93793-9651 LIC. #202028
- P.O. BOX 1631, RENO, NV 89505 LIC. #10675
- 3326 A PONDEROSA WAY, LAS VEGAS, NV 89118 LIC. #10675

DATE INSULATION COMPLETED

PART II AREAS INSULATED

WALLS ( SQUARE FEET)	CEILINGS ( SQUARE FEET)	FLOORS ( SQUARE FEET)
TYPE OF INSULATION	TYPE OF INSULATION	TYPE OF INSULATION
MATERIAL <b>FIBERGLASS</b>	MATERIAL <b>FIBERGLASS</b>	MATERIAL <b>FIBERGLASS</b>
FORM <b>BATTS</b>	FORM <b>BATTS &amp; BLOW</b>	FORM <b>BATTS</b>
MANUFACTURER'S PRODUCT I.D.	MANUFACTURER'S PRODUCT I.D.	MANUFACTURER'S PRODUCT I.D.
<b>OCF</b>	<b>OCF</b>	<b>OCF</b>
	BAGS	

<i>13</i>	<i>3 5/8</i>	<i>30</i>	<i>9"</i>		
<i>19</i>	<i>5 1/2"</i>	<i>30</i>	<i>12"</i>		

MATERIAL <b>FIBERGLASS</b>	FORM <b>BATTS</b>	R VALUE	MANUFACTURER <b>OCF</b>
----------------------------	-------------------	---------	-------------------------

MATERIAL <i>FOAM</i>	MANUFACTURER <b>W R GRACE</b>
----------------------	-------------------------------

SIGNATURE—INSULATION CONTRACTOR <i>Bill Hindenrepp</i>	TITLE <b>MANAGER</b>	DATE <i>1-21-00</i>
SIGNATURE—GENERAL CONTRACTOR	TITLE	DATE

REMARKS

PLAN 2, LOT 48

RESIDENTIAL BUILDING PERMIT APPLICATION

- New Construction     Addition     Remodels     Other

Project Address: 45 DRAWBRIDGE COURT Assessor Parcel # 274-0520-013

OWNER INFORMATION:

Legal Property Owner: MYERS HOMES OF CALIFORNIA, LLC Phone # 916-851-0530  
 Owner Address: 3300 FITZGERALD RD City RANCHO CORONA State CA Zip 92742

CONTRACTOR INFORMATION:

Contractor: MYERS HOMES, INC. Lic. # 744473 Phone # 916-851-0530 Fax # 916-851-0535

PROJECT INFORMATION:

Land Use Zone R-1A PUD Occupancy Group R-3 Construction Type YN Fed Code 1A  
 No. of stories: 2 No. of rooms: 12 Street width: 50 FT  
 1<sup>st</sup> Floor Area 934 2<sup>nd</sup> Floor Area 945 Basement N/A Roof Material TILE

AREA IN SQUARE FOOT OF:	EXISTING	NEW
Dwelling/Living	_____	<u>1879</u>
Garage/Storage	_____	<u>655</u>
Decks/Balconies	_____	<u>50</u> COVERED FRONT PORCH
Carports	_____	_____

SCOPE OF WORK: NEW CONSTRUCTION OF SINGLE FAMILY RESIDENCE; RIVERWALK SERIES I, PLAN 2 / 1879 # IN MASTER PLANNED COMMUNITY P99-045 P97-005 AMENDED

FOR OFFICE USE ONLY

- |   |   |   |
|---|---|---|
| <input type="checkbox"/> Information above complete | <input type="checkbox"/> AR Flood Waiver required             | <input type="checkbox"/> Planning Approval                  |
| <input type="checkbox"/> Violation files checked    | <input type="checkbox"/> Flood Elevation Certificate Required | <input type="checkbox"/> Design Review Approval             |
| <input type="checkbox"/> Standard setbacks          | <input type="checkbox"/> Water Development Infill Area        | <input type="checkbox"/> Special Fee Districts Apply: _____ |
| <input type="checkbox"/> County Sewer               |   |   |

NEW STRUCTURES & ADDITIONS

\*THE FOLLOWING MUST BE PROVIDED IN ORDER TO SUBMIT FOR PLAN REVIEW

- PLAT 8.5" x 11" DRAINAGE INFO
- 2 COMPLETE PLANS, LEGIBLE & DRAWN TO SCALE *Plans to include: site plan, floor plan, elevations, roof/ceiling plan, foundation and structural framing details, and structural calculations for non-conforming structures.*
  - 3 SETS IF PROJECT IS IN A DESIGN REVIEW AREA
  - Title 24 Energy Compliance documentation
  - 11" x 17" copy of floor plan for County Assessor
  - Grading and Erosion Control Questionnaire
  - Plan Review Fees

Date: \_\_\_\_\_ Received by: (staff) \_\_\_\_\_

ACTIVITY/PERMIT # \_\_\_\_\_

# MYERS HOMES

February 11, 2000

CITY OF SACRAMENTO BUILDING DEPT.  
ATTN: DON DUNFORD

DON:

DUE TO THE INCLEMENT WEATHER WE HAVE BEEN EXPERIENCING THE PAST TWO MONTHS, WE HAVE NOT BEEN ABLE TO COMPLETE THE LANDSCAPING AND/OR FENCING ON THE FOLLOWING LOTS. WE REQUEST A CONDITIONAL FINAL INSPECTION AND AGREE TO COMPLETE LANDSCAPING/FENCING WITHIN 60 DAYS OF SAID CONDITIONAL FINAL. WE AGREE TO REQUEST A FOLLOW-UP INSPECTION AT THE TIME THE LANDSCAPING/FENCING IS COMPLETE. THIS REQUEST IS NECESSARY IN ORDER TO FACILITATE SCHEDULED BUYER MOVE IN DATES.

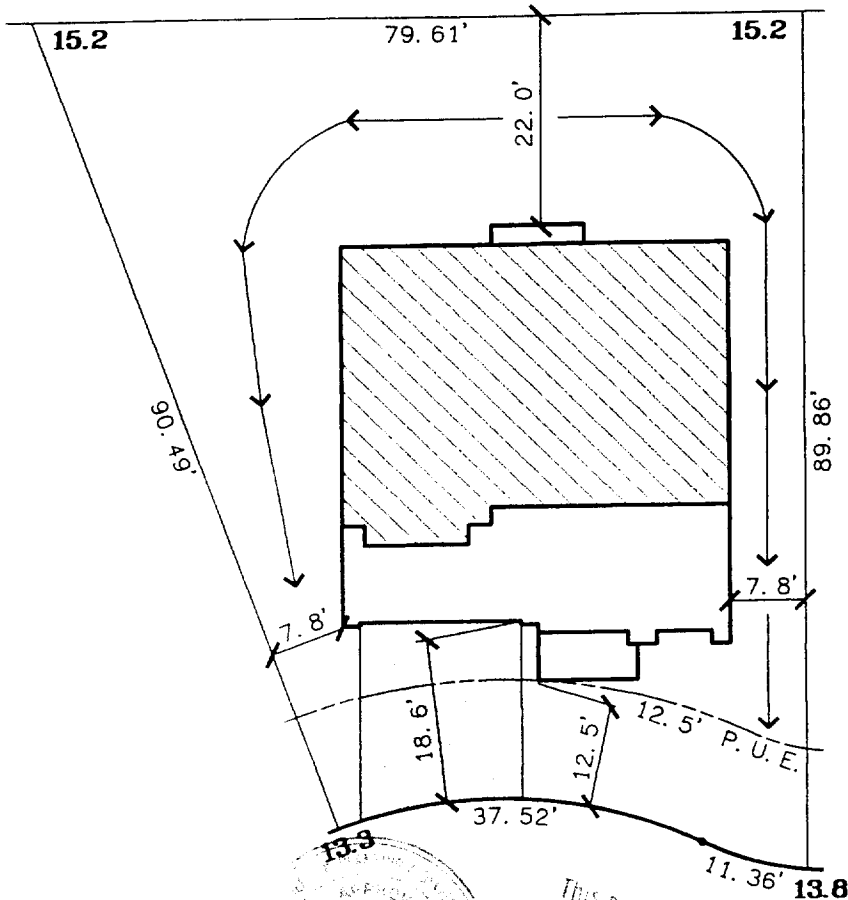
LOT NR.	ADDRESS	PERMIT NR.
25	25 Drawbridge	9909010

SINCERELY



JIM MOLTZEN      BEN MOLNAR  
SUPERINTENDENTS, MYERS HOMES

.....



**DRAWBRIDGE COURT**

This set of plans and specifications must be kept on the job at all times and it is unlawful to make any changes or alterations from the same without written permission from the Building Inspection Division. The approval of this plan and specification shall not be held to permit or approve the violation of any City Ordinance or State Law.

SCALE: 1" = 20'

DATE: 8-4-99  
 A.P.N.:  
 ADDRESS: 45 DRAWBRIDGE COURT

LOT AREA: 5,417 SF  
 LOT COVERAGE: 27%

**The Spink Corporation**  
 2590 VENTURE OAKS WAY  
 SACRAMENTO, CA. 95833  
 PH:(916)925-5550 FAX:(916)921-9274

**RIVERWALK  
 UNIT NO. 1  
 LOT 48  
 PLAN 1879B**

**RIVERWALK**  
 CITY OF SACRAMENTO, CA.  
 CLIENT: MYERS HOMES  
 JOB NO.: 1456-001