

CITY OF SACRAMENTO

1231 I Street, Sacramento, CA 95814

Permit No: 0000767

Insp Area: 2

Site Address: 919 8TH AV SAC

Parcel No: 012-0331-044

Sub-Type: ASFR

Housing (Y/N): N

CONTRACTOR

LOWRY CONSTRUCTION
PMB 2035714
FOLSOM BL 95819

OWNER

RON & ANGIE MELLON
919 8TH AV
SAC CA 95818

ARCHITECT

TERRY JOHN
1718 3RD ST #201
SACRAMENTO CA 95814

Nature of Work: 2ND STORY REMODEL, NEW SHED DORMER

CONSTRUCTION LENDING AGENCY: I hereby affirm under penalty of perjury that there is a construction lending agency for the performance of the work for which this permit is issued (Sec. 3097, Civ. C).

Lender's Name _____ Lender's Address _____

LICENSED CONTRACTORS DECLARATION: I hereby affirm under penalty of perjury that I am licensed under provisions of Chapter 9 (commencing with section 7000) of Division 3 of the Business and Professions Code and my license is in full force and effect.

License Class B1 License Number 703964 Date 2/8/00 Contractor Signature [Signature]

OWNER-BUILDER DECLARATION: I hereby affirm under penalty of perjury that I am exempt from the contractors License Law for the following reason (Sec. 7031.5, Business and Professions Code; any city or county which requires a permit to construct, alter, improve, demolish, or repair any structure, prior to its issuance, also requires the applicant for such permit to file a signed statement that he or she is licensed pursuant to the provisions of the Contractors License Law (Chapter 9 (commencing with Section 7000) of Division 8 of the Business and Professions Code) or that he or she is exempt therefrom and the basis for the alleged exemption. Any violation of Section 7031.5 by any applicant for a permit subjects the applicant to a civil penalty of not more than five hundred dollars (\$500.00):

_____, I, as a owner of the property, or my employees with wages as their sole compensation, will do the work, and the structure is not intended or offered for sale (Sec. 7044, Business and Professional Code: The Contractors License Law does not apply to an owner of property who builds or improves thereon, and who does such work himself or herself or through his/her own employees, provided that such improvements are not intended or offered for sale. If, however, the building or improvement is sold within one year of completion, the owner-builder will have the burden of proving that he/she did not build or improve for the purpose of sale.)

_____, I, as owner of the property, am exclusively contracting with licensed contractors to construct the project (Sec. 7044, Business and Professions Code: The Contractors License Law does not apply to an owner of property who builds or improves thereon, and who contracts for such projects with a contractor(s) licensed pursuant to the Contractors License Law).

_____ I am exempt under Sec. _____ B & PC for this reason: _____

Date _____ Owner Signature _____

IN ISSUING THIS BUILDING PERMIT, the applicant represents, and the city relies on the representation of the applicant, that the applicant verified all measurements and locations shown on the application or accompanying drawings and that the improvement to be constructed does not violate any law or private agreement relating to permissible or prohibited locations for such improvements. This building permit does not authorize any illegal location of any improvement or the violation of any private agreement relating to location of improvements.

I certify that I have read this application and state that all information is correct. I agree to comply with all city and county ordinances and state laws relating to building construction and hereby authorize representative(s) of this city to enter upon the abovementioned property for inspection purposes.

Date 2/8/00 Applicant/Agent Signature [Signature]

WORKER'S COMPENSATION DECLARATION: I hereby affirm under penalty of perjury one of the following declarations:

_____ I have and will maintain a certificate of consent to self-insure for workers' compensation as provided for by Section 3700 of the Labor Code, for the performance of work for which the permit is issued.

_____ I have and will maintain workers' compensation insurance, as required by Section 3700 of the Labor Code, for the performance of the work for which this permit is issued. My workers' compensation insurance carrier and policy number are:

CITY OF SACRAMENTO
NEIGHBORHOODS PLANNING
AND DEVELOPMENT SERVICES
FEB 08 2000

Carrier

Policy Number

Exp Date

(This section need not be completed if the permit is for \$100 or less) I certify that in the performance of the work for which this permit is issued, I shall not employ any person in any manner so as to become subject to the workers' compensation laws of California and agree that if I should become subject to the workers' compensation provisions of Section 3700 of the Labor Code, I shall comply with those provisions.

Date 2/8/00 Applicant Signature [Signature]

WARNING: FAILURE TO SECURE WORKER'S COMPENSATION COVERAGE IS UNLAWFUL AND SHALL SUBJECT AN EMPLOYER TO CRIMINAL PENALTIES AND CIVIL FINES UP TO ONE HUNDRED THOUSAND DOLLARS (\$100,000) IN ADDITION TO THE COST OF COMPENSATION, DAMAGES AS PROVIDED FOR IN SECTION 3706 OF THE LABOR CODE, INTEREST AND ATTORNEY'S FEE.

THIS PERMIT SHALL EXPIRE BY LIMITATION IF WORK IS NOT COMMENCED WITHIN 180 DAYS.

JOHN TERRY ARCHITECT
 1718 3rd St.
 Suite 201
 Sacramento, CA 95814
 Ph. (916) 322-0485
 Fax (916) 325-4838

This drawing is a statement of services and shall be subject to the conditions of the Contract Documents. It is not to be construed as a contract. No part of this drawing shall be used for any other purpose without the written consent of the architect. A breach of contract and liability for the construction of the work shall be determined by the laws of the State of California. © John Terry Architect 2004



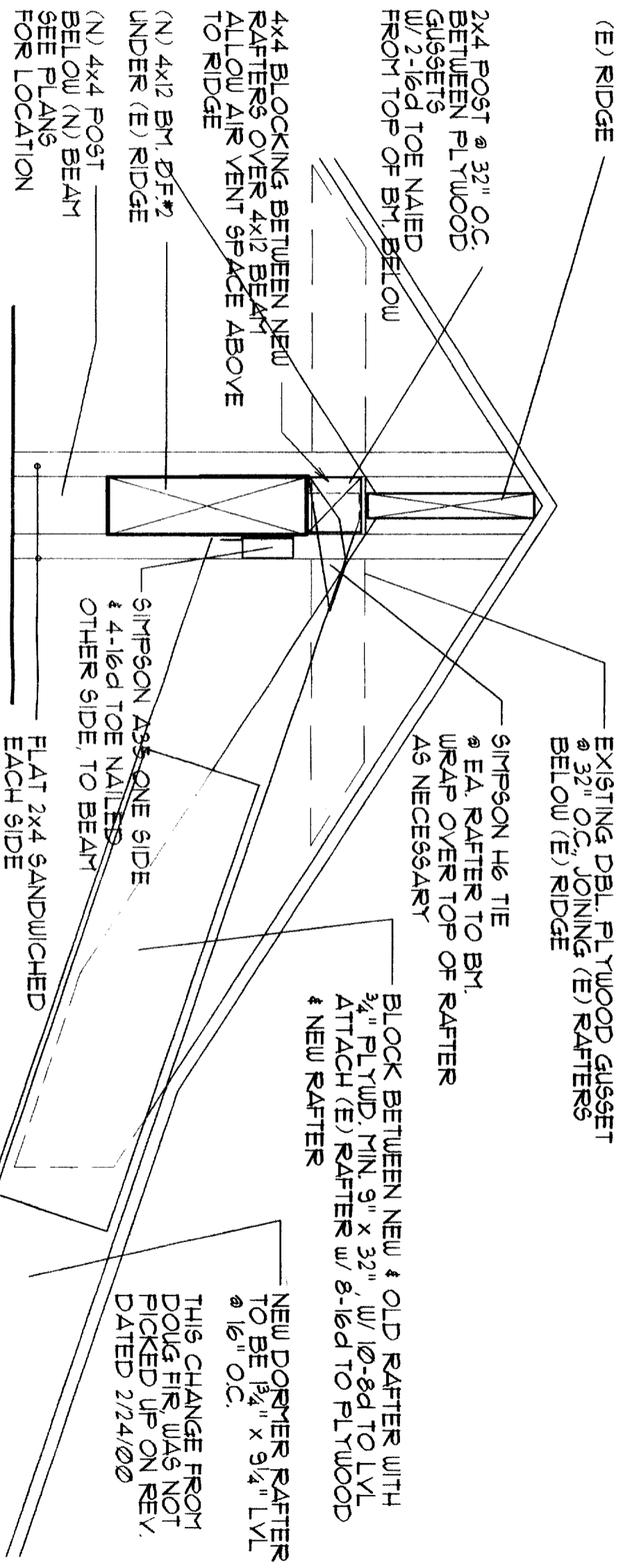
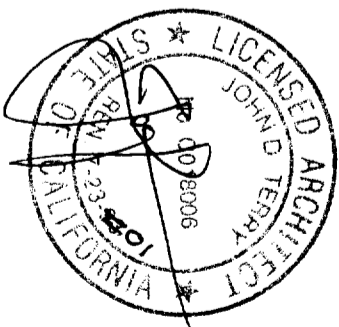
MELLON BATH REMODEL
de las Aceitunas
 919 8th STREET
 SACRAMENTO, CA 95818

CLIENT COMMENTS:
 RIDGE DETAIL
 REVISION

REVISIONS:
 PROJECT: 2000004

DATE: 3/17/2000
 DRAWING

REV 1



1 **NEW 4x12 BEAM BELOW RIDGER**
A3 **NO SCALE**